

SACB-6/ 6-L-C SCO


Order No.: 1516807



<http://eshop.phoenixcontact.de/phoenix/treeViewClick.do?UID=1516807>

Sensor/actuator box, M12-SPEEDCON-socket, Number of slots: 6, Number of positions: 4, Slot assignment: Single, Status indication: Yes, pnp 180°, Shielding: No



| Commercial data | |
|--------------------------|---|
| GTIN (EAN) |  4 017918 967536 |
| sales group | D100 |
| Pack | 1 pcs. |
| Customs tariff | 85366990 |
| Catalog page information | Page 116 (PC-2009) |

Product notes

WEEE/RoHS-compliant since:
01/01/2008



<http://www.download.phoenixcontact.com>
Please note that the data given here has been taken from the online catalog. For comprehensive information and data, please refer to the user documentation. The General Terms and Conditions of Use apply to Internet downloads.

| Technical data | |
|--|---------|
| General data | |
| Rated voltage | 24 V DC |
| Max. operating voltage U_{max} | 30 V DC |
| Current carrying capacity per I/O signal | 2 A |
| Current carrying capacity per slot | 4 A |

| | |
|------------------------------------|-----------------------------------|
| Total rated current | 10 A |
| | 2x 8 A (For electrical isolation) |
| Number of positions | 4 |
| Number of slots | 6 |
| Degree of protection | IP65/IP67/IP69K |
| Inflammability class acc. to UL 94 | V0 |
| Ambient temperature (operation) | -30 °C ... 80 °C |
| Sensor/actuator connection system | M12-SPEEDCON-socket |

Local diagnostics function

| | |
|-------------------|-------------------------------------|
| Local diagnostics | Supply voltage per module Green LED |
| | Status display I/O Yellow LED |

Master cable data

| | |
|--|----------------------------|
| Type of connection | Pluggable screw connection |
| Conductor cross-section min. (signal) | 0.14 mm ² |
| Conductor cross-section max. (signal) | 1.5 mm ² |
| Conductor cross-section AWG min. (signal) | 26 |
| Conductor cross-section AWG max. (signal) | 16 |
| Conductor cross-section min. (energy) | 0.14 mm ² |
| Conductor cross-section max. (energy) | 1.5 mm ² |
| Conductor cross-section AWG min. (energy) | 26 |
| Conductor cross-section AWG max. (energy) | 16 |
| External cable diameter min. | 7 mm |
| External cable diameter max. | 12 mm |
| Stripping length | 7 mm |
| Tightening torque, cover screw | 0.35 Nm |
| Tightening torque, union nut | 2.5 Nm |
| Tightening torque slot sensor/actuator cable | 0.4 Nm |
| Tightening torque screw plug | 0.4 Nm |

Insulation material

| | |
|-------------------------------|-------------|
| Housing material | PBT |
| Material of the moulding mass | PUR |
| Contact material | Cu alloy |
| Contact surface material | Gold-plated |
| Contact carrier material | PA |

| | |
|--|---------------|
| Material of contact, master cable side | CU alloy |
| Material of contact surface, master cable side | Gold-plated |
| Material of the contact carrier on the master cable side | PA 66 V0 |
| Material of threaded sleeve | Zinc die-cast |
| Material of threaded sleeve surface | Nickel-plated |
| Material, O-ring | NBR |

Pin assignment

| | |
|--|-----------------------------------|
| Slot/position = Wire color or connection | 1 / 4 (A) = 1 / 4 |
| | 2 / 4 (A) = 2 / 4 |
| | 3 / 4 (A) = 3 / 4 |
| | 4 / 4 (A) = 4 / 4 |
| | 5 / 4 (A) = 5 / 4 |
| | 6 / 4 (A) = 6 / 4 |
| | 1-6 / 1 (+ 24 V) = U _N |
| | 1-6 / 3 (0 V) = 0 V |
| | 1-6 / 5 (PE) = PE |

Certificates / Approvals



Certification CUL, UL

Accessories

| Item | Designation | Description |
|-----------------------|-------------------------------|--|
| Connector hood | | |
| 1516713 | SACB-C-H180 8/16 SCO | Connector hood with an integrated connector, for M12 sensor/ actuator boxes with metal thread and pluggable screw connection, for 4, 6 or 8 slots |
| General | | |
| 1503331 | SACB- 6X0,34/ 3X0,75-50,0 PUR | Master cable for sensor/actuator boxes, with PE conductor, unshielded, material PUR/PVC, 9-pos., 6 x 0.34 mm ² and 3 x 0.75 mm ² |

Marking

| | | |
|---------|---------------|--|
| 0804963 | SS-ZB 17,5 WH | Contactora marker Zack strip, unprinted: 5-section, for snapping into equipment and components with special marker carrier, can be labeled with M-PEN, CMS system or label BMKT 17.5 x 8, lettering field: 17.5 x 8 mm, color: white |
|---------|---------------|--|

Protection and sealing elements

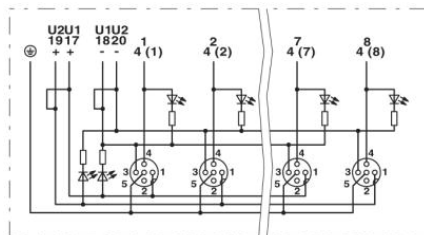
| | | |
|---------|-------------|--|
| 1553129 | PROT-MS SCO | M12 screw plug with SPEEDCON quick locking for unoccupied M12 sockets of the sensor/actuator cables, boxes and flush-type connectors |
|---------|-------------|--|

Tools

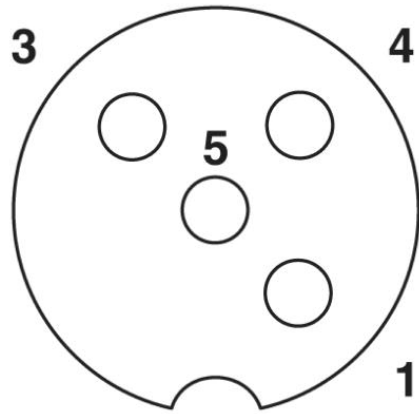
| | | |
|---------|------------------|---|
| 1208432 | SAC BIT M12-D15 | Nut for assembling sensor/actuator cables with M12 connector and for M12 connectors with QUICKON fast connection technology, for 4 mm hexagonal drive |
| 1208445 | SACC BIT M12-D20 | Nut for assembling SACC M12 connectors for free assembly, excluding M12 connectors with QUICKON fast connection technology, for 4 mm hexagonal drive |
| 1206450 | SZK PZ1 VDE | Screwdriver, PZ crosshead, VDE insulated, size: PZ 1 x 80 mm, 2-component grip, with non-slip grip |
| 1208429 | TSD 04 SAC | Torque screwdriver, with preset torque of 0.4 Nm and 4 mm hexagonal drive for M12 connectors |

Diagrams/Drawings

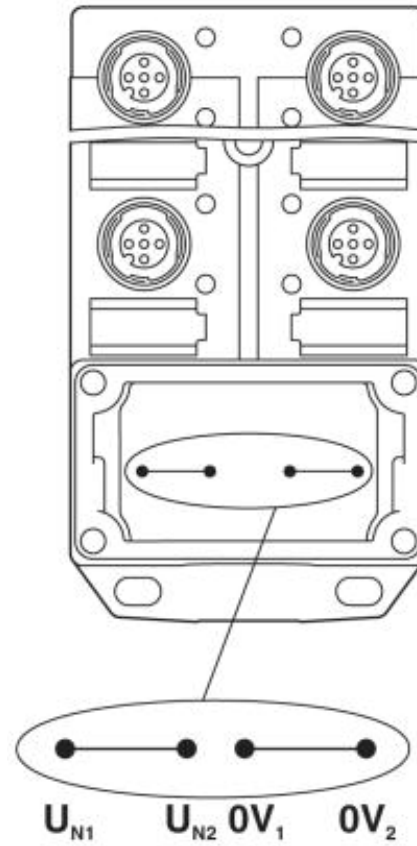
Circuit diagram



Schematic diagram

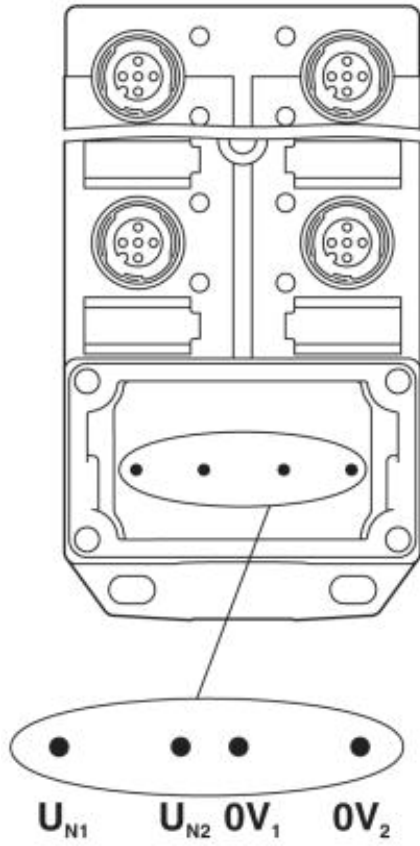


M12 slot, socket, 4-pos.



Potential U_{N1} and U_{N2} bridged

Electrically isolated



Address

PHOENIX CONTACT Inc., USA
586 Fulling Mill Road
Middletown, PA 17057, USA
Phone (800) 888-7388
Fax (717) 944-1625
<http://www.phoenixcon.com>



© 2010 Phoenix Contact
Technical modifications reserved;