

SACB-4/ 4-M23 180


Order No.: 1692734

The illustration shows a version with 8 slots



<http://eshop.phoenixcontact.de/phoenix/treeViewClick.do?UID=1692734>

Sensor/actuator box, M12 female connector, Number of slots: 4, Number of positions: 4, Slot assignment: Single, Status indication: No, Universal 180°, Shielding: No

Commercial data	
GTIN (EAN)	 4 017918 177805
Note	Made-to-order
sales group	D108
Pack	1 pcs.
Customs tariff	85366990
Catalog page information	Page 114 (PC-2009)

Product notes

WEEE/RoHS-compliant since:
08/18/2008



<http://www.download.phoenixcontact.com>
Please note that the data given here has been taken from the online catalog. For comprehensive information and data, please refer to the user documentation. The General Terms and Conditions of Use apply to Internet downloads.

Technical data	
General data	
Rated voltage	120 V
Max. operating voltage U_{max}	135 V
Current carrying capacity per I/O signal	2 A
Current carrying capacity per slot	4 A

Total rated current	12 A
Number of positions	4
Number of slots	4
Degree of protection	IP65/IP67
Inflammability class acc. to UL 94	V0
Ambient temperature (operation)	-20 °C ... 75 °C
Sensor/actuator connection system	M12 female connector

Master cable data

Type of connection	M23 plug connection
Tightening torque slot sensor/actuator cable	0.4 Nm
Tightening torque screw plug	0.4 Nm

Insulation material

Housing material	PA
Contact material	CuSn
Contact surface material	Ni/Au
Contact carrier material	PA
Material of contact, master cable side	CU alloy
Material of contact surface, master cable side	Gold-plated
Material of threaded sleeve	Zinc die-cast
Material, O-ring	NBR

Pin assignment

Slot/position = Wire color or connection	1 / 4 (A) = 1
	2 / 4 (A) = 2
	3 / 4 (A) = 3
	4 / 4 (A) = 4
	1-4 / 1 (+ 120 V) = 11
	1-4 / 3 (0 V) = 9+10
	1-4 / 5 (PE) = 12

Certificates / Approvals



Certification

CUL, GOST, UL

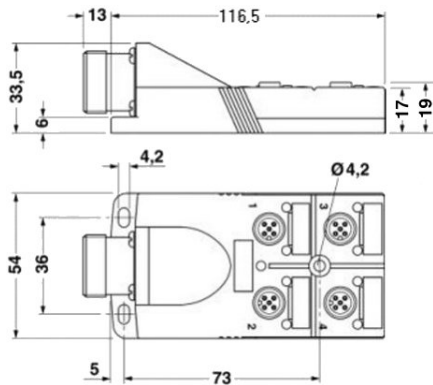
Accessories

Item	Designation	Description
General		
1665062	PLUSCON-RCS	Special pipe spanner, tool for mounting the M23 connector housing (with assembly), for coupling and sleeve housing
Marking		
2809128	ZBN 18:UNBEDRUCKT	Unprinted marker labels, strips with 5 labels for individual labeling with M-PEN or CMS system, for terminal block width: 17.5 mm, color: White
Protection and sealing elements		
1680539	PROT-M12	An M12 screw plug for the unoccupied M12 sockets of the sensor/ actuator cable, boxes and flush-type connectors
Sealing cap		
1685013	KSK 1	Plastic sealing cap, for unoccupied M23 connectors
1665897	MSK 1	M23 metal sealing cap, for unoccupied M23 connectors, without steel wire
1665907	MSK 2	M23 metal sealing cap, for unoccupied M23 connectors, with steel wire
Socket		
1685107	RC-T 12/1BU2ST	T distributor M23, 12-pos., with an M23 socket and two M23 connectors
1684014	RCK-TGUM/BL12/ 5,0PUR-U	Female connector M23, straight, 12-pos., with master cable 5 m
1684027	RCK-TGUM/BL12/10,0PUR-U	Female connector M23, straight, 12-pos., with master cable 10 m
1684030	RCK-TWUM/BL12/ 5,0PUR-U	Female connector M23, angled, 12-pos., with master cable 5 m
1684043	RCK-TWUM/BL12/10,0PUR-U	Female connector M23, angled, 12-pos., with master cable 10 m
1000041	V-RC/TGUM 11/KVD 11/LBL 12	M23 socket, 12-pos., straight, freely configurable, with solder connection, for external cable diameter of 8 mm ... 12 mm
1000043	V-RC/TWUM 11/KVD 11/LBL 12	M23 socket, 12-pos., angled, freely configurable, with solder connection, for external cable diameter of 8 mm ... 12 mm
Tools		
1208432	SAC BIT M12-D15	Nut for assembling sensor/actuator cables with M12 connector and for M12 connectors with QUICKON fast connection technology, for 4 mm hexagonal drive

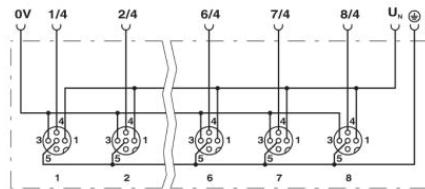
1208445	SACC BIT M12-D20	Nut for assembling SACC M12 connectors for free assembly, excluding M12 connectors with QUICKON fast connection technology, for 4 mm hexagonal drive
1208429	TSD 04 SAC	Torque screwdriver, with preset torque of 0.4 Nm and 4 mm hexagonal drive for M12 connectors

Diagrams/Drawings

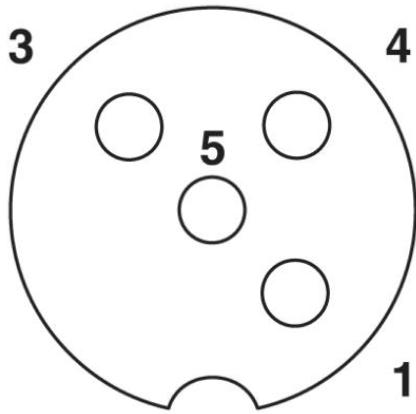
Dimensioned drawing



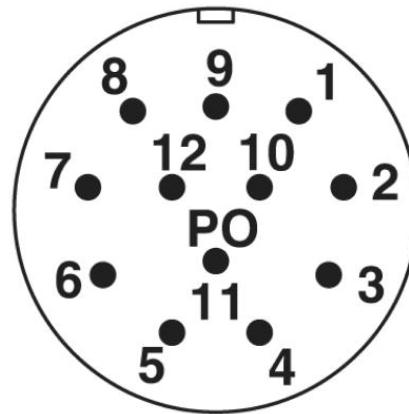
Circuit diagram



Schematic diagram



M12 slot, socket, 4-pos.



M23 plug connection pin, 12-pos.

Address

PHOENIX CONTACT Inc., USA
586 Fulling Mill Road
Middletown, PA 17057, USA
Phone (800) 888-7388
Fax (717) 944-1625
<http://www.phoenixcon.com>



© 2010 Phoenix Contact
Technical modifications reserved;