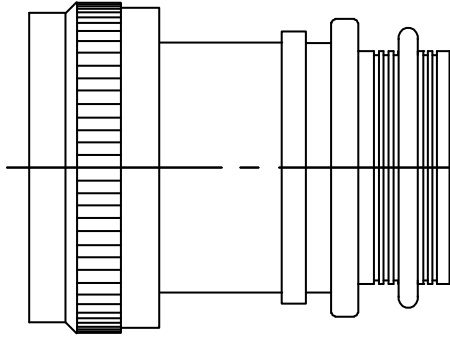


TYCO ELECTRONICS RESERVES THE RIGHT TO AMEND THIS DRAWING AT ANY TIME. USERS SHOULD EVALUATE THE SUITABILITY OF THE PRODUCT FOR THEIR APPLICATION.

REVISIONS			
LTR	DESCRIPTION	DATE	APPROVED
A	PER ECD AP-233		E.B.
B	REVISED AND REDRAWN PER ECD-08-031566	17DEC08	M.PIOZET



CODE 76 TINEL-LOCK ADAPTER

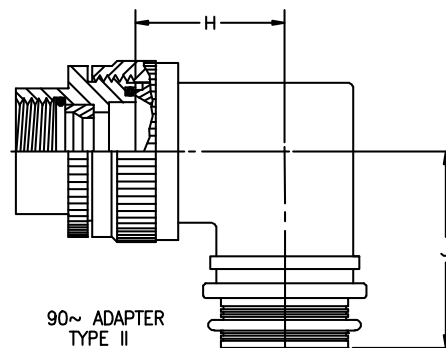
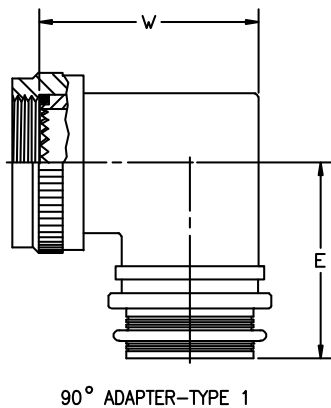
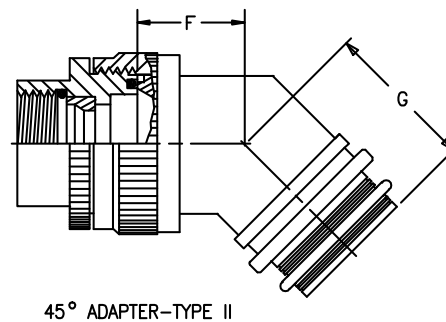
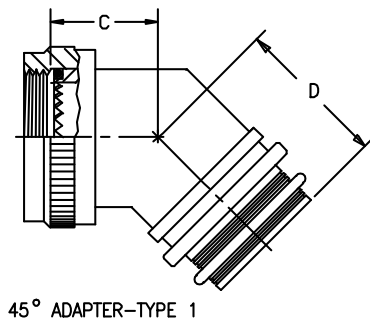
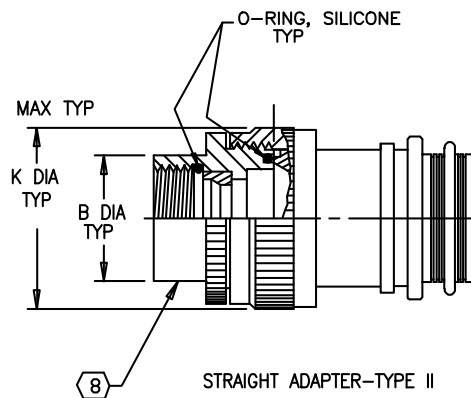
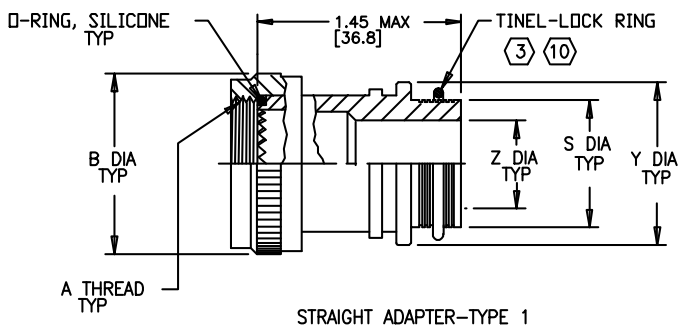
NOTES:

1. ALL DIMENSIONS ARE IN INCHES [MILLIMETERS].
2. SEE CH00-0250-008 FOR ORDERING INFORMATION, MODIFICATIONS, AND ADDITIONAL DIMENSIONS FOR MODIFICATIONS. MODIFICATIONS INDICATED BY TXR__M OR ANY OF THE FOLLOWING LETTERS AT THE END OF THE PART NUMBER H J L P T S N OR V.
3. SEE DRAWING TR FOR DETAIL ON TINEL-LOCK RING.
4. TEMPERATURE RANGE FOR ALUMINUM ALLOY:
-65 °C TO +150 °C.
5. ADAPTER TO BE PERMANENTLY MARKED WITH ASSEMBLY PN LESS RING DESIGNATOR (EG: TXR76AB00-1208) AND CODE IDENT. NO. (06090).
6. CONSULT FACTORY FOR OPTIONAL ENTRIES, MATERIALS, MODIFICATIONS, FINISHES AND BRAID DESIGNATORS.
7. INTERNAL EDGES SHALL BE ROUNDED.
8. FOR LARGER ENTRY SIZES, A 2 PIECE ADAPTER (TYPE II) IS SUPPLIED.
9. THIS PRODUCT IS DESIGNED TO TERMINATE A BRAIDED CABLE SHIELD AND A HEAT SHRINKABLE LIPPED BOOT TO A CONNECTOR.
10. RINGS SHALL BEAR NO MARKING.
11. ADAPTER MATES WITH BS 9522, N0001 PATT 603
BS 9522, F0017 PATT 105.

TINEL-LOCK™ is a Trademark of the Tyco Electronics Corporation
© 2008 Tyco Electronics Corporation. All rights reserved.

CUSTOMER DRAWING

UNLESS OTHERWISE SPECIFIED DIMENSIONS ARE IN INCHES. METRIC DIMENSIONS ARE IN BRACKETS. DECIMALS .X ± --- [mm] .XX ± --- [mm] .XXX ± --- [mm] ANGLES .X ± 5°	REDRAWN	A. BUI	DATE	08DEC08		Raychem Adapters 300 Constitution Drive Menlo Park, CA 94025 U.S.A.	
	CHECKED	-	DATE	-			
	APPROVED	-	DATE	-	TITLE	TINEL-LOCK™ ADAPTER	
	APPROVED	M.PIOZET	DATE	08DEC08	SIZE	CODE IDENT. NO.	DWG. NO.
CAD NAME	TXR76_B			A	06090	TXR76	B
THIRD ANGLE PROJECTION				DO NOT SCALE THIS DWG		SHEET 1 OF 3	



CUSTOMER DRAWING

SIZE	CODE IDENT. NO.	DWG. NO.	REV
A	06090	TXR76	B
SCALE N/A	DO NOT SCALE THIS DWG	SHEET 2 OF 3	

TABLE I							
ORDER NO.	SHELL SIZE ⑪	MAX ENTRY SIZE TYPE I ⑧	A THREAD CLASS 2B	B DIA MAX	C MAX	D MAX	E MAX
08	8	04	.438-28 UNEF	.79 [20.1]	.71 [18.0]	.84 [21.3]	1.05 [26.7]
10	10	06	.562-24 UNEF	.91 [23.1]	.74 [18.8]	.87 [22.1]	1.11 [28.2]
12	12	08	.688-24 UNEF	1.07 [27.2]	.76 [19.3]	.90 [22.9]	1.19 [30.2]
14	14	10	.812-20 UNEF	1.19 [30.2]	.79 [20.1]	.92 [23.4]	1.25 [31.8]
16	16	12	.938-20 UNEF	1.32 [33.5]	.82 [20.8]	.95 [24.1]	1.32 [33.5]
18	18	14	1.062-18 UNEF	1.44 [36.6]	.84 [21.3]	.97 [24.6]	1.38 [35.1]
20	20	16	1.188-18 UNEF	1.57 [39.9]	.87 [22.1]	1.00 [25.4]	1.44 [36.6]
22	22	18	1.312-18 UNEF	1.69 [42.9]	.89 [22.6]	1.02 [25.9]	1.50 [38.1]
24	24	18	1.438-18 UNEF	1.79 [45.5]	.92 [23.4]	1.05 [26.7]	1.55 [39.4]

TABLE II									
ENTRY SIZE	Z +.010 -.020	S DIA	Y ±.015 [±0.38]	W MAX	F MAX	G MAX	J MAX	H MAX	K MAX
04	.250 [6.35]	.376 [9.56] .370 [9.39]	.550 [13.97]	1.24 [31.5]	NA	NA	NA	NA	NA
05	.312 [7.92]	.438 [11.13] .432 [10.97]	.612 [15.54]	1.30 [33.0]	.77 [19.6]	.93 [23.6]	1.16 [29.5]	1.19 [30.2]	.80 [20.3]
06	.375 [9.52]	.501 [12.73] .495 [12.57]	.675 [17.14]	1.32 [35.5]	.77 [19.6]	.93 [23.6]	1.16 [29.5]	1.19 [30.2]	.80 [20.3]
07	.437 [11.09]	.563 [14.31] .556 [14.12]	.737 [18.71]	1.38 [35.0]	.80 [20.3]	.95 [24.1]	1.22 [31.0]	1.38 [35.1]	.92 [23.4]
08	.500 [12.70]	.626 [15.91] .619 [15.72]	.800 [20.32]	1.50 [38.0]	.80 [20.3]	.95 [24.1]	1.22 [31.0]	1.38 [35.1]	.92 [23.4]
10	.625 [15.87]	.752 [19.11] .742 [18.84]	.925 [23.49]	1.61 [41.0]	.84 [21.3]	1.00 [25.4]	1.35 [34.3]	1.51 [38.4]	1.18 [30.0]
12	.750 [19.05]	.877 [22.28] .867 [22.02]	1.050 [26.67]	1.73 [44.0]	.86 [21.8]	1.01 [25.7]	1.40 [35.6]	1.63 [41.4]	1.35 [34.3]
14	.875 [22.23]	1.002 [25.46] .991 [25.17]	1.175 [29.84]	1.85 [47.0]	.88 [22.4]	1.04 [26.4]	1.46 [37.1]	1.78 [45.2]	1.41 [35.8]
16	1.000 [25.40]	1.127 [28.63] 1.116 [28.34]	1.300 [33.02]	2.00 [51.0]	.91 [23.1]	1.06 [26.9]	1.53 [38.9]	1.88 [47.8]	1.60 [40.6]
18	1.125 [28.57]	1.252 [31.81] 1.241 [31.52]	1.425 [36.19]	2.13 [54.0]	.93 [23.6]	1.09 [27.7]	1.59 [40.4]	2.01 [51.1]	1.66 [42.2]
20	1.250 [31.75]	1.377 [34.98] 1.366 [34.69]	1.550 [39.37]	N/A	.98 [24.9]	1.13 [28.7]	1.78 [45.2]	2.13 [54.1]	2.04 [51.8]
22	1.375 [34.93]	1.502 [38.15] 1.488 [37.79]	1.675 [42.55]	N/A	1.03 [26.2]	1.38 [35.1]	1.85 [47.0]	2.29 [58.2]	2.23 [56.6]
24	1.500 [38.10]	1.627 [41.33] 1.613 [40.97]	1.800 [45.72]	N/A	1.08 [27.4]	1.44 [36.6]	1.92 [48.8]	2.42 [61.5]	2.23 [56.6]

CUSTOMER DRAWING

SIZE A	CODE IDENT. NO. 06090	DWG. NO. TXR76	REV B
SCALE N/A		DO NOT SCALE THIS DWG	SHEET 3 OF 3