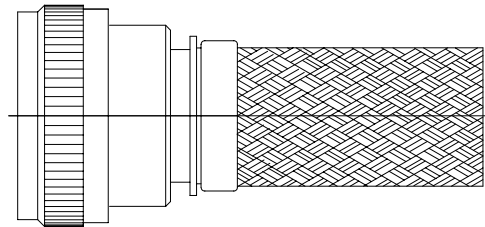


REVISIONS			
LTR	DESCRIPTION	DATE	APPROVED
N	REVISED PER ECN AD94020		



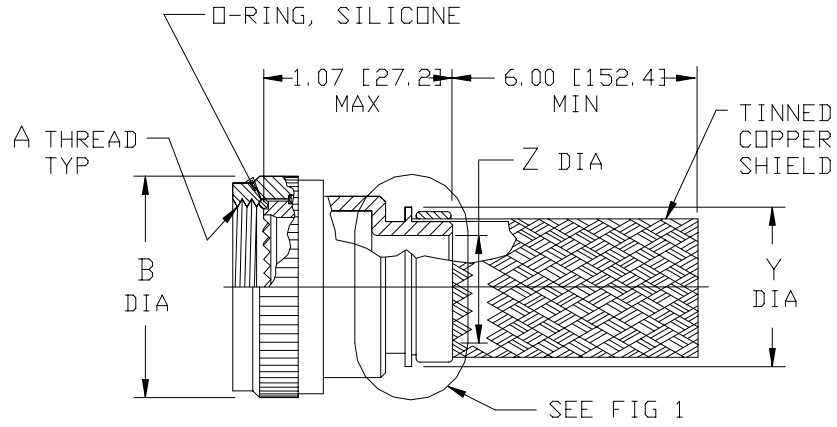
CODE 40, SHIELDED STRAIGHT ADAPTER

NOTES:

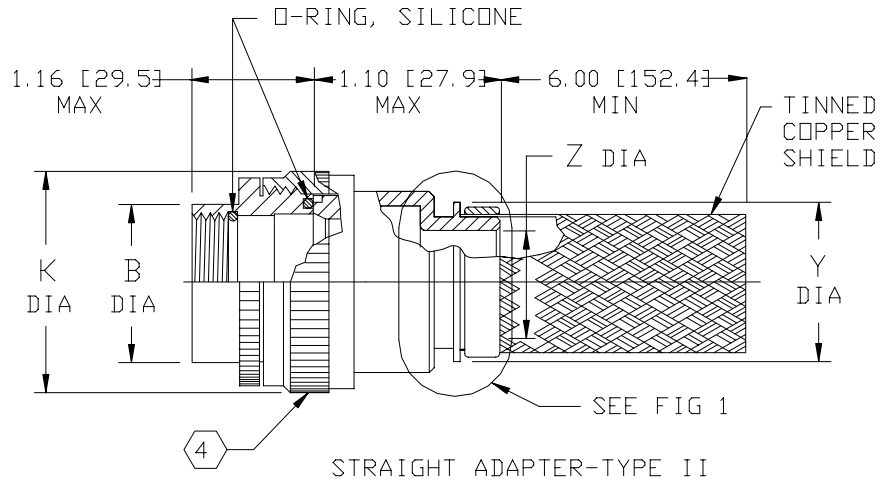
- THIS PRODUCT IS DESIGNED TO TERMINATE A HEAT SHRINKABLE LIPPED BOOT TO A CONNECTOR.
- FOR ADDITIONAL DIMENSIONS, ORDERING INFORMATION AND MODIFICATIONS, SEE CH00-0250-004.
- ADAPTER TO BE PERMANENTLY MARKED WITH CODE IDENT. NO. AND PART NO. (E.G.: 06090-208M712-19B08).
- FOR LARGER ENTRY SIZES, A 2 PIECE ADAPTER (TYPE II) IS SUPPLIED.
- BRAID TERMINATION RING MAY BE SUPPLIED AS TINEL-LOCK SHAPE MEMORY RING AT MANUFACTURER'S OPTION.
- ADAPTER MATES TO MIL-C-38999 SERIES III & IV, CLASS C, F, K, AND W, D38999/20 /24, /26, /40, /46, /47 CONNECTORS, AND WHEN SO MATED SHALL PROVIDE A WATER-TIGHT SEAL MEETING THE REQUIREMENTS OF MIL-C-85049, PAR. 3.5.7.

SPECIFICATION CONTROL DRAWING

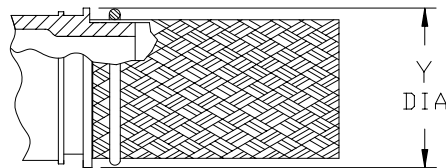
UNLESS OTHERWISE SPECIFIED DIMENSIONS ARE IN INCHES. METRIC DIMENSIONS ARE IN BRACKETS. DECIMALS .XXX ± — [mm] .XX ± — [mm] .X ± — [mm] ANGLES .X ± —	DRAW R. RAMIREZ	DATE 03-19-93		Tyco Electronics Corporation 300 Constitution Drive Menlo Park, CA. 94025 U.S.A.		
	CHECKED	DATE				
	APPROVED W. C. GAY	DATE 05-19-93	TITLE ADAPTER, SHIELD, STRAIGHT CODE 40			
	APPROVED	DATE	CAD NAME \ACAD12\208M7XX			
THIRD ANGLE PROJECTION 	SIZE A	CODE IDENT. NO. 06090	DWG. NO. 208M7XX	REV N	DO NOT SCALE THIS DWG	



STRAIGHT ADAPTER-TYPE I



STRAIGHT ADAPTER-TYPE II



TINEL-LOCK TERMINATION

FIG 1 (5)

SIZE	CODE IDENT. NO.	DWG. NO.	REV
A	06090	208M7XX	N
DO NOT SCALE THIS DWG		CAD NAME \ACAD12\208M7X-2	SHEET 2 OF 3

TABLE I



BASE PART NO.	SHELL SIZE 		MAX ENTRY SIZE TYPE I 	A METRIC THD CLASS 6H	B DIA MAX
	COML	MIL			
208M708	9	A	04	M12 X 1.0	.750 [19.1]
208M710	11	B	07	M15 X 1.0	.850 [21.6]
208M712	13	C	09	M18 X 1.0	1.000 [25.4]
208M714	15	D	10	M22 X 1.0	1.150 [29.2]
208M716	17	E	12	M25 X 1.0	1.250 [31.8]
208M718	19	F	14	M28 X 1.0	1.400 [35.6]
208M720	21	G	16	M31 X 1.0	1.500 [38.1]
208M722	23	H	18	M34 X 1.0	1.650 [41.9]
208M724	25	J	20	M37 X 1.0	1.750 [44.5]

TABLE II

ENTRY SIZE	K MAX	Z ±.020 [±0.51]	Y DIA MIN
03	NA	.187 [4.75]	.393 [9.98]
04	NA	.250 [6.35]	.456 [11.58]
05	.80 [20.3]	.312 [7.92]	.515 [13.08]
06	.80 [20.3]	.375 [9.53]	.581 [14.76]
07	.92 [23.4]	.438 [11.13]	.643 [16.33]
08	.92 [23.4]	.500 [12.70]	.705 [17.91]
09	1.18 [30.0]	.562 [14.27]	.705 [17.91]
10	1.18 [30.0]	.625 [15.88]	.831 [21.11]
11	1.18 [30.0]	.688 [17.48]	.893 [22.68]
12	1.35 [34.3]	.750 [19.05]	.953 [24.21]
13	1.41 [35.8]	.812 [20.62]	.953 [24.21]
14	1.41 [35.8]	.875 [22.23]	1.081 [27.46]
15	1.60 [40.6]	.938 [23.83]	1.143 [29.03]
16	1.60 [40.6]	1.000 [25.40]	1.205 [30.61]
18	1.66 [42.2]	1.125 [28.58]	1.381 [35.08]
20	2.04 [51.8]	1.250 [31.75]	1.506 [38.25]
22	2.23 [56.6]	1.375 [34.93]	1.631 [41.43]
24	2.23 [56.6]	1.500 [38.10]	1.756 [44.60]
28	2.48 [63.0]	1.750 [44.45]	2.004 [50.90]

SIZE A	CODE IDENT. NO. 06090	DWG. NO. 208M7XX	REV N
DO NOT SCALE THIS DWG		CAD NAME \ACAD12\208M7X-3	SHEET 3 OF 3