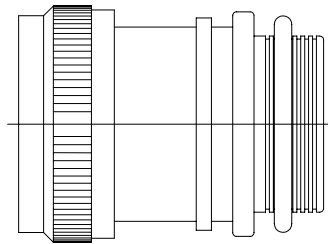


REVISIONS			
LTR	DESCRIPTION	DATE	APPROVED
D	REVISED PER ECN AD93073		



CODE 61 TINEL-LOCK ADAPTER

NOTES:

- THIS PRODUCT IS DESIGNED TO TERMINATE A BRAIDED CABLE SHIELD AND A HEAT SHRINKABLE LIPPED BOOT TO A CONNECTOR.
- SEE CH00-0250-008 FOR ORDERING INFORMATION, MODIFICATIONS AND ADDITIONAL DIMENSIONS.
- SEE DRAWING "TR" FOR DETAILS ON TINEL-LOCK RING. RINGS ARE DESIGNED TO BE HEATED ELECTRICALLY. ALL RINGS ARE MARKED WITH THERMOCHROMIC PAINT WHICH CHANGES COLOR WHEN INSTALLATION TEMPERATURE IS REACHED.
- ADAPTER TO BE PERMANENTLY MARKED WITH CODE IDENT. NO. AND PART NO. LESS RING DESIGNATOR (E.G.: 06090-TXR61AB00-1206). RINGS SHALL BEAR NO MARKING.
- FOR LARGER ENTRY SIZES, A 2 PIECE ADAPTER (TYPE II) IS SUPPLIED.
- ADAPTER MATES TO MIL-C-81511, SERIES 1, 2, 3 AND 4, CLASS A, C, E, F, P AND T, M81511/1, /5, /6, /21, /23, /25, /26, /31, /32, /33, /34, /35, /36, /37, /38, /45, /46, /49, /51, /53, /55 AND /56 CONNECTORS.
- THESE DIMENSIONS APPLY IF A SELF-LOCKING COUPLING NUT IS USED. (MOD. CODE "S").

SPECIFICATION CONTROL DRAWING

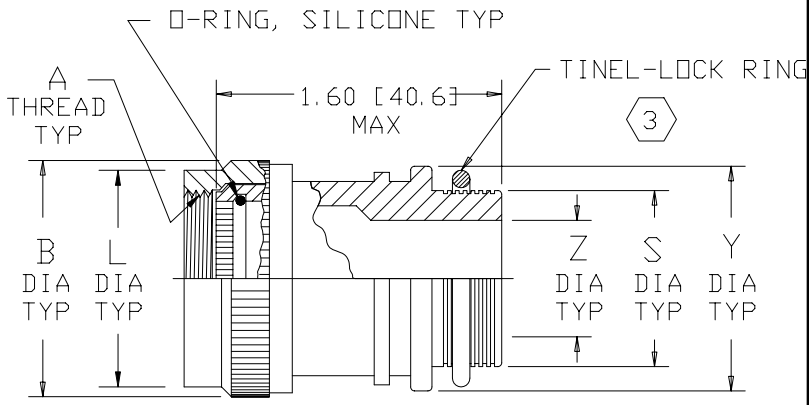
UNLESS OTHERWISE SPECIFIED DIMENSIONS ARE IN INCHES. METRIC DIMENSIONS ARE IN BRACKETS.

DECIMALS
 .XXX ± — [mm]
 .XX ± — [mm]
 .X ± — [mm]

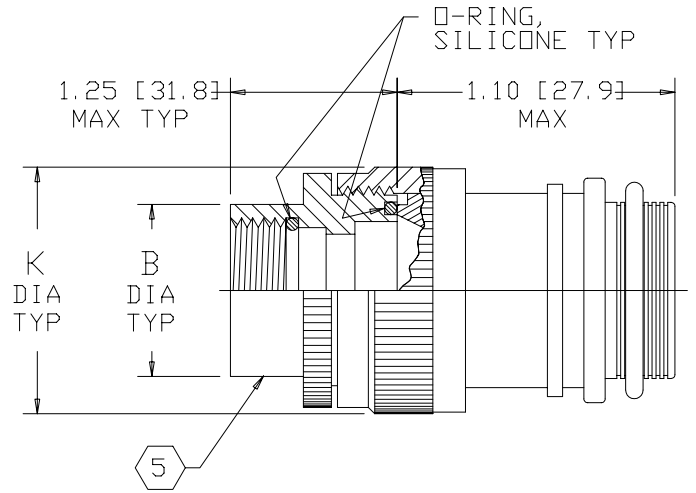
ANGLES
 .X ± —

DRAWN E. GOLDY	DATE 07-23-93
CHECKED	DATE
APPROVED	DATE
APPROVED	DATE
CAD NAME \\ACAD12\TXR61	
THIRD ANGLE PROJECTION	

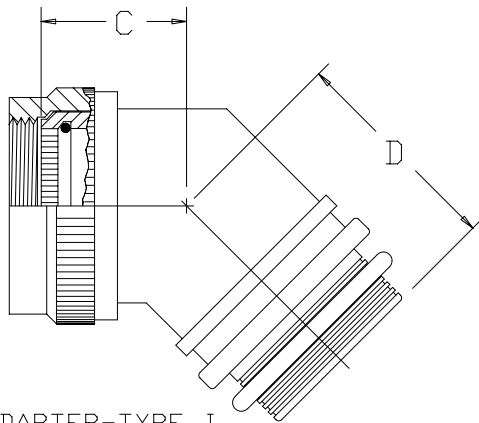
tyco Electronics		Tyco Electronics Corporation 300 Constitution Drive Menlo Park, CA. 94025 U.S.A.		Raychem	
TITLE TINEL-LOCK™ ADAPTER					
SIZE A	CODE IDENT. NO. 06090	DWG. NO. TXR61	REV D		
DO NOT SCALE THIS DWG			SHEET 1 OF 3		



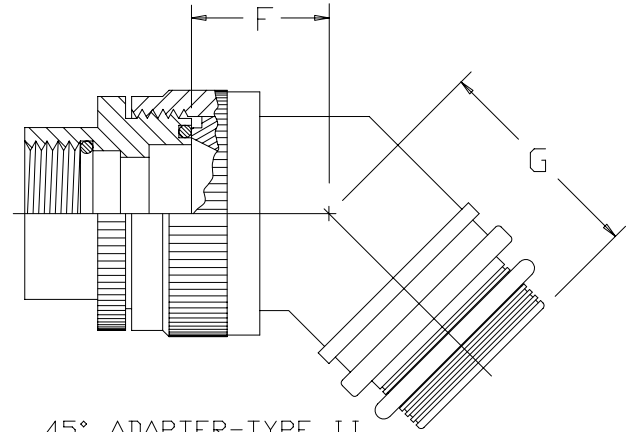
STRAIGHT ADAPTER-TYPE I



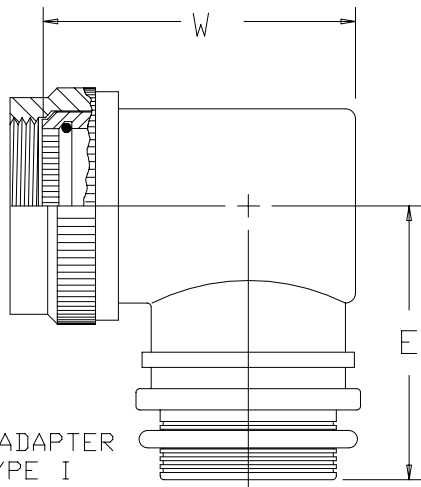
STRAIGHT ADAPTER-TYPE II



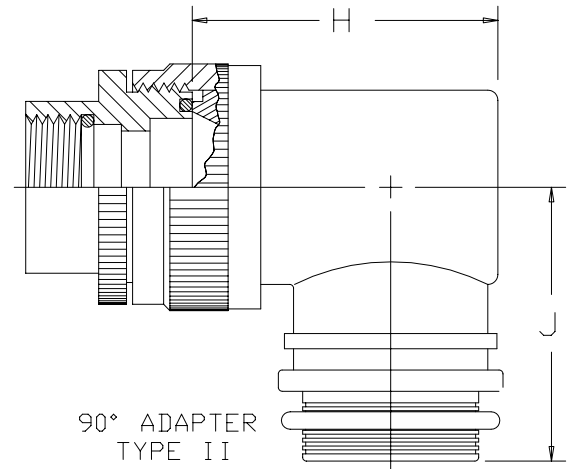
45° ADAPTER-TYPE I



45° ADAPTER-TYPE II



90° ADAPTER TYPE I



90° ADAPTER TYPE II

SIZE	CODE	IDENT. NO.	DWG. NO.	REV
A	06090		TXR61	D
DO NOT SCALE THIS DWG			CAD NAME \ACAD12\TXR61-2	SHEET 2 OF 3

TABLE I										
ORDER NO.	SHELL SIZE 6		MAX ENTRY SIZE TYPE I 5	A UNIFIED THD CLASS 2B	B DIA MAX	B DIA MAX 7	C MAX	D MAX	E MAX	L MAX
	COML	MIL								
08	8	A	06	.500-28 UNEF	.86 [21.8]	1.05 [26.7]	1.10 [27.9]	.93 [23.6]	1.18 [30.0]	.57 [14.5]
10	10	B	08	.625-28 UN	.98 [24.9]	1.17 [29.7]	1.12 [28.4]	.96 [24.4]	1.25 [31.8]	.70 [17.8]
14	14	D	12	.875-28 UN	1.23 [31.2]	1.42 [36.1]	1.18 [30.0]	1.00 [25.4]	1.37 [34.8]	.95 [24.1]
16	16	E	14	1.000-28 UN	1.36 [34.5]	1.55 [39.4]	1.20 [30.5]	1.02 [25.9]	1.44 [36.6]	1.07 [27.2]
18	18	F	16	1.125-28 UN	1.48 [37.6]	1.67 [42.4]	1.23 [31.2]	1.05 [26.7]	1.50 [38.1]	1.20 [30.5]
20	20	G	18	1.250-28 UN	1.63 [41.4]	1.82 [46.2]	1.25 [31.8]	1.08 [27.4]	1.57 [39.9]	1.32 [33.5]
22	22	H	20	1.375-28 UN	1.73 [43.9]	1.92 [48.8]	1.28 [32.5]	1.10 [27.9]	1.62 [41.1]	1.45 [36.8]
24	24	J	22	1.500-28 UN	1.86 [47.2]	2.05 [52.0]	1.30 [33.0]	1.14 [29.0]	1.68 [42.7]	1.57 [39.9]

TABLE II									
ENTRY SIZE	Z +.010 -.020	S DIA	Y ±.015 [±0.38]	W MAX	F MAX	G MAX	H MAX	J MAX	K MAX
04	.250 [6.35]	.376 [9.56] .370 [9.39]	.550 [13.97]	1.39 [35.3]	N/A	N/A	N/A	N/A	N/A
05	.312 [7.92]	.438 [11.13] .432 [10.97]	.612 [15.54]	1.46 [37.1]	N/A	N/A	N/A	N/A	N/A
06	.375 [9.52]	.501 [12.73] .495 [12.57]	.675 [17.14]	1.52 [38.6]	N/A	N/A	N/A	N/A	N/A
07	.437 [11.09]	.563 [14.31] .556 [14.12]	.737 [18.71]	1.58 [40.1]	.80 [20.3]	.95 [24.1]	1.38 [35.1]	1.22 [31.0]	.92 [23.4]
08	.500 [12.70]	.626 [15.91] .619 [15.72]	.800 [20.32]	1.64 [41.7]	.80 [20.3]	.95 [24.1]	1.38 [35.1]	1.22 [31.0]	.92 [23.4]
10	.625 [15.87]	.752 [19.11] .742 [18.84]	.925 [23.49]	1.77 [45.0]	.84 [21.3]	1.00 [25.4]	1.51 [38.4]	1.35 [34.3]	1.18 [30.0]
12	.750 [19.05]	.877 [22.28] .867 [22.02]	1.050 [26.67]	1.89 [48.0]	.86 [21.8]	1.01 [25.7]	1.63 [41.4]	1.40 [35.6]	1.35 [34.3]
14	.875 [22.23]	1.002 [25.46] .991 [25.17]	1.175 [29.84]	2.02 [51.3]	.88 [22.4]	1.04 [26.4]	1.78 [45.2]	1.46 [37.1]	1.41 [35.8]
16	1.000 [25.40]	1.127 [28.63] 1.116 [28.34]	1.300 [33.02]	2.14 [54.4]	.91 [23.1]	1.06 [26.9]	1.88 [47.8]	1.53 [38.9]	1.60 [40.6]
18	1.125 [28.57]	1.252 [31.81] 1.241 [31.52]	1.425 [36.19]	2.27 [57.7]	.93 [23.6]	1.09 [27.7]	2.01 [51.1]	1.59 [40.4]	1.66 [42.2]
20	1.250 [31.75]	1.377 [34.98] 1.366 [34.69]	1.550 [39.37]	2.39 [60.7]	.98 [24.9]	1.13 [28.7]	2.13 [54.1]	1.78 [45.2]	2.04 [51.8]
22	1.375 [34.93]	1.502 [38.15] 1.488 [37.79]	1.675 [42.55]	2.62 [66.5]	1.03 [26.2]	1.38 [35.1]	2.29 [58.2]	1.85 [47.0]	2.23 [56.6]
24	1.500 [38.10]	1.627 [41.33] 1.613 [40.97]	1.800 [45.72]	N/A	1.08 [27.4]	1.44 [36.6]	2.42 [61.5]	1.92 [48.8]	2.23 [56.6]

SIZE	CODE	IDENT. NO.	DWG. NO.	REV
A	06090		TXR61	D
DO NOT SCALE THIS DWG			CAD NAME \ACAD\TXR61-3	SHEET 3 OF 3