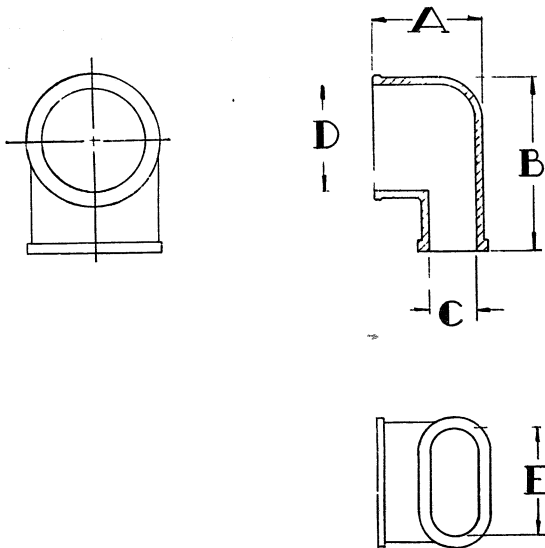


DWG No.	040-0000-001	CHG F	CHG, D.C.R.	REVISIONS	BY	DATE	CHK.
			A -	REDRAWN FOR CLARITY	H	8-23-50	J.S.
			B -	"PART NO" COLUMN ADDED	H	11-26-50	LJS
			C -	TITLE WAS "CUP, CABOBER#AR10SL etc."	H	12-24-50	RA
			D R/C	ADDED KPT. SIZES 10 THRU 24 & TITLE	H	1-24-51	RA
			E R/C	MATL. WAS ZYTEL 10 INC-10 NATURAL	H	3-25-51	RA
			F	REVISED PER DCN M005529	KN	11-15-51	RA

INSERTS WITH C.A.E.  
 "10" KPT. CONTACTS  
 "20" "14" & "18" CONTACTS  
 "24" "14" CONTACTS  
 "24" "18" CONTACTS



MAT L MOLDED ZYTEL 101 NC-10 NATURAL  
FINISH NONE

KPT SIZE	ER# AR SIZE	A <sub>10±0</sub>	A <sub>±.010</sub>	B <sub>±.002</sub>	C <sub>±.002</sub>	D <sub>±.010</sub>	E <sub>±.010</sub>	PART NO
10	10SL	.625	---	1.000	.272	.617	.616	040-0054-000
12	12S-12	.812	---	1.000	.272	.778	.772	-0095
14	14S-14	.812	---	1.000	.503	.852	.850	-0090
16	16S-16	.812	---	1.750	.375	.984	.975	-0059
18	18	1.000	---	1.750	.550	1.116	1.110	-0060
20	20	1.000	---	1.750	.582	1.245	1.235	-0061
22	22	1.000	---	1.750	.582	1.357	1.360	-0095
24	24	1.187	---	1.750	.630	1.490	1.485	-0062
	28	1.375	---	2.000	.825	1.735	1.755	-0098
	32	1.375	---	2.250	.825	2.021	2.021	-0065
	36	1.375	---	2.500	.825	2.240	2.240	-0066
								040-0100-000

Unless otherwise specified all dimensions are in inches. <b>TOLERANCES</b> Fractional dimensions ± .010 Decimal dimensions ± .002 Angular tolerances ± 1/2° Remove all burrs and sharp edges	REF HUGHES	CODE 05081	<b>CANNON ELECTRIC COMPANY</b> 65 East Dyer Road Santa Ana, California This document and drawings, sketches and schematic plans are the property of Cannon Electric Co., and no parts thereof may be reproduced and used without the written consent of the owner.	
	CUSTOMER DRAWING CUPPOTTING KPT 08P 10-24 CUPPOTTING CABOBER#AR10SL-36			DWG No. 040-0000-001 CHG. FL
DWN. W.D.H.	CHK. L.J.S.	APPROX. SIZE	WT. ACT. CALC.	IN. SCALE NONE