

# SACC-FSB-2SC SH PB SCO


Order No.: 1432868



<http://eshop.phoenixcontact.de/phoenix/treeViewClick.do?UID=1432868>


Bus system connector, female, straight, 2-pos., M12 SPEEDCON, shielded, B-coded, spring-cage connection, metal knurl, cable cross-section max. 8 mm



Commercial data	
GTIN (EAN)	 4 046356 348515
sales group	D124
Pack	1 pcs.
Customs tariff	85366990
Catalog page information	Page 50 (PC-2009)

**Product notes**

WEEE/RoHS-compliant since:  
03/06/2008



<http://www.download.phoenixcontact.com>  
Please note that the data given here has been taken from the online catalog. For comprehensive information and data, please refer to the user documentation. The General Terms and Conditions of Use apply to Internet downloads.

Technical data	
<b>General data</b>	
Rated current at 40°C	4 A
Rated voltage	60 V
Number of positions	2
Volume resistance	≤ 8 mΩ

---

Insulation resistance	≥ 100 MΩ
Ambient temperature (operation)	-40 °C ... 85 °C (Male connector / female connector)

**General characteristics**

Standards/regulations	M12 connector IEC 61076-2-101
Coding	B - inverse
Surge voltage category	II
Pollution degree	3
Degree of protection	IP67
Contact material	CuSn
Contact surface material	Ni/Au
Contact carrier material	PA 66
Material of grip body	Zinc die-cast, nickel-plated
Material, knurls	Nickel-plated brass
Sealing material	NBR
Type of connection	Spring-cage conn.
Conductor cross section stranded min.	0.14 mm <sup>2</sup>
Conductor cross section stranded max.	0.5 mm <sup>2</sup>
Conductor cross section AWG/kcmil min.	26
Conductor cross section AWG/kcmil max	20
External cable diameter	4 mm ... 8 mm
Status display	No

**Certificates / Approvals**

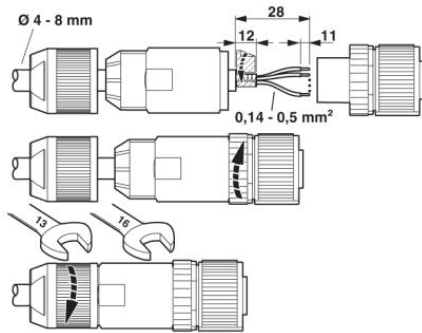


Certification

CUL, UL

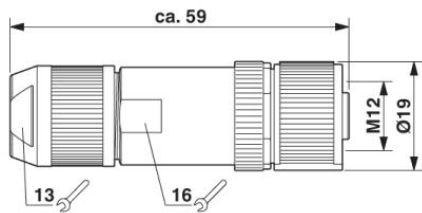
## Diagrams/Drawings

### Functional drawing



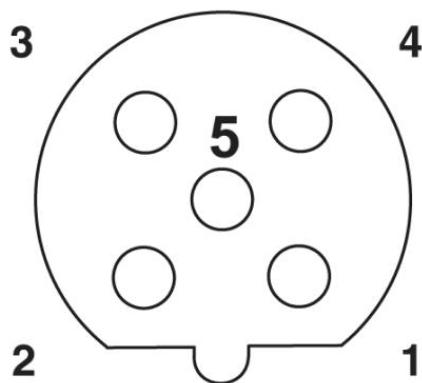
Stripping length 28 mm, for angled version 35 mm. Strip the cable, shorten the shield, stick the shielding foil around the shortened shield. Strip off individual wires, push pressure nuts onto the cable. Lead the wires through the housing and connect them. Screw the connector body onto the housing, tighten the pressure nuts.

### Dimensioned drawing



Socket M12-SPEEDCON, straight, shielded

### Schematic diagram



Connector pin assignment M12 socket, 5-pos., B-coded

**Address**

PHOENIX CONTACT Inc., USA  
586 Fulling Mill Road  
Middletown, PA 17057, USA  
Phone (800) 888-7388  
Fax (717) 944-1625  
<http://www.phoenixcon.com>



© 2010 Phoenix Contact  
Technical modifications reserved;