

# SACC-CI-M12FS-5CON-L90 SCO


Order No.: 1436644



<http://eshop.phoenixcontact.de/phoenix/treeViewClick.do?UID=1436644>


Sensor/actuator flush-type connector, socket, 5-pos., A-coded, with angled solder connection, only contact insert



Commercial data	
GTIN (EAN)	 4 046356 438711
sales group	D125
Pack	20 pcs.
Customs tariff	85366990
Catalog page information	Page 35 (PC-2009)

**Product notes**

WEEE/RoHS-compliant since: 02/12/2009



<http://www.download.phoenixcontact.com>  
 Please note that the data given here has been taken from the online catalog. For comprehensive information and data, please refer to the user documentation. The General Terms and Conditions of Use apply to Internet downloads.

Technical data	
<b>General data</b>	
Rated current at 40°C	4 A
Rated voltage	60 V
Number of positions	5
Volume resistance	≤ 3 mΩ

Insulation resistance	≥ 100 MΩ
Ambient temperature (operation)	-25 °C ... 85 °C (Male connector / female connector)

#### General characteristics

Standards/regulations	M12 connector IEC 61076-2-101
Coding	A - standard
Surge voltage category	II
Pollution degree	3
Degree of protection	IP67
Contact material	CuZn
Contact surface material	Au
Contact carrier material	PA 66
Sealing material	FKM / EPDM
Mounting type	PCB mounting
Type of connection	Solder pins
Status display	No

#### Certificates / Approvals



Certification UL

#### Accessories

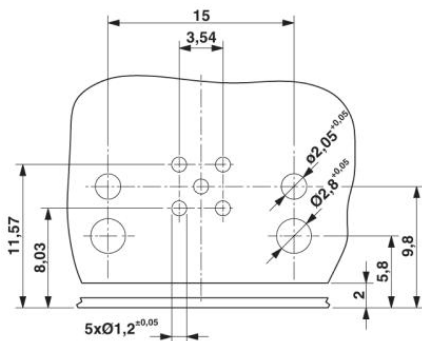
Item	Designation	Description
<b>Housing screw connection</b>		
1437889	SACC-M12 NUT PRESS	M12 socket, housing screw connection, press-in version, for all Speedcon-compatible THR and wave soldering contact carriers
1437892	SACC-M12 PLUG PRESS	M12 pin, housing screw connection, press-in version, for all Speedcon-compatible THR and wave soldering contact carriers
1552243	SACC-M12-SCO NUT	M12-SPEEDCON housing screw connection for M12 female inserts, with flat gasket, for all Speedcon-compatible THR and wave soldering contact carriers

**Additional products**

Item	Designation	Description
<b>Housing screw connection</b>		
1432460	SACC-M12-SCO NUT L 90	M12-SPEEDCON housing screw connection for M12 female inserts, with flat gasket, for all Speedcon-compatible THR and wave soldering contact carriers

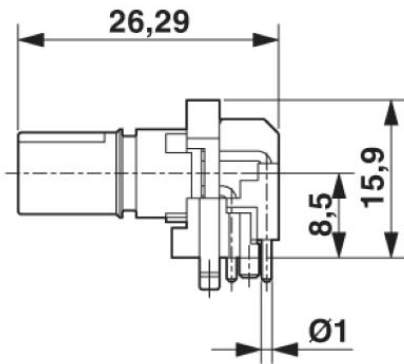
**Diagrams/Drawings**

Drilling plan/solder pad geometry

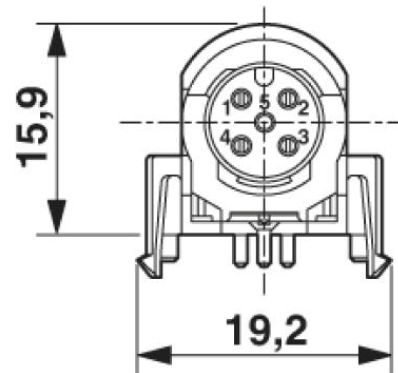


Drilling diagram only valid in connection with the **SACC-M12-SCO NUT L90** housing (order no. 1432460)

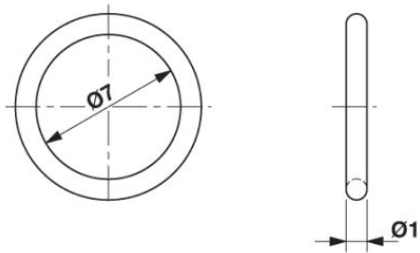
Dimensioned drawing



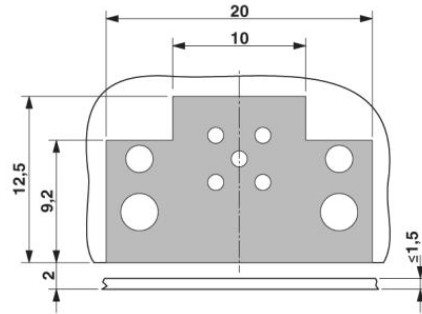
M12 flush-type connector, socket, contact carrier, side view



M12 flush-type connector, socket, contact carrier, front view

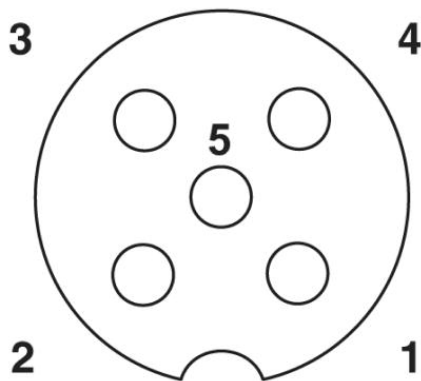


Optionally with O-ring (green) for tight seal when plugged in.  
- the axial mating force of 80 N per connector may not be exceeded when using with assembled O-ring!  
- Avoid radial forces!



Locked area on the PCB

Schematic diagram



Pin assignment M12 socket, 5-pos., A-coded, socket side view

**Address**

PHOENIX CONTACT Inc., USA  
586 Fulling Mill Road  
Middletown, PA 17057, USA  
Phone (800) 888-7388  
Fax (717) 944-1625  
<http://www.phoenixcon.com>



© 2010 Phoenix Contact  
Technical modifications reserved;