


SACC-DSI-M 8MS-3CON-L180

Order No.: 1694334

<http://eshop.phoenixcontact.de/phoenix/treeViewClick.do?UID=1694334>Sensor/actuator flush-type connector, male, 3-pos., M8, rear/screw
mounting with M8 thread, with straight solder connection**Commercial data**

GTIN (EAN)	 4 017918 178697
sales group	D125
Pack	20 pcs.
Customs tariff	85366990
Catalog page information	Page 23 (PC-2009)

Product notesWEEE/RoHS-compliant since:
03/24/2006

<http://www.download.phoenixcontact.com>
Please note that the data given here has been taken from the online catalog. For comprehensive information and data, please refer to the user documentation. The General Terms and Conditions of Use apply to Internet downloads.

Technical data**General data**

Rated current at 40°C	4 A
Rated voltage	60 V
Number of positions	3
Volume resistance	≤ 3 mΩ
Insulation resistance	≥ 100 MΩ

Ambient temperature (operation)	-25 °C ... 85 °C
General characteristics	
Standards/regulations	M8 connector IEC 61076-2-104
Surge voltage category	II
Pollution degree	3
Degree of protection	IP67
Contact material	CuZn
Contact surface material	Au
Contact carrier material	PA 66
Material, knurls	Nickel-plated brass
Sealing material	NBR
Mounting type	Rear mounting M8 x 0.5 With locking nut
Type of connection	Solder pins
Status display	No

Certificates / Approvals



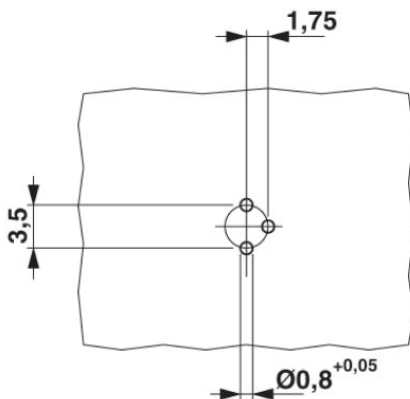
Certification

CUL, GOST, UL

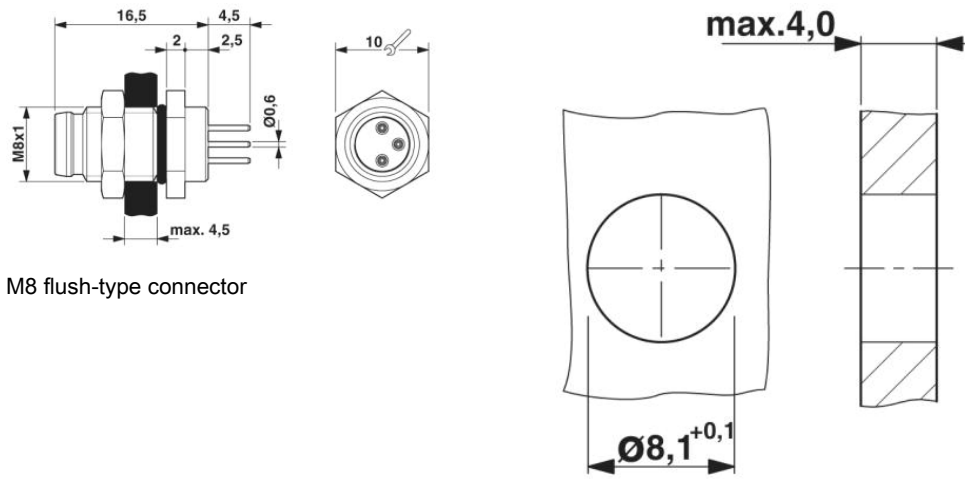
Diagrams/Drawings

Drilling plan/solder pad geometry

Drilling diagram



Dimensioned drawing

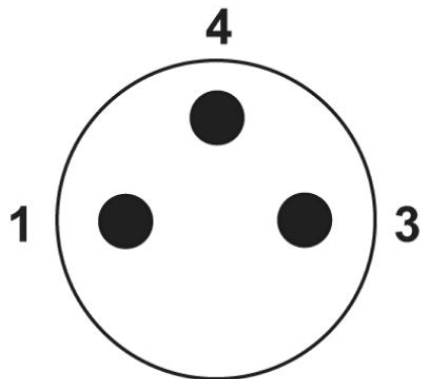


M8 flush-type connector

Housing cutout for M8 flush-type connector, connector, one-section

Schematic diagram

Pin assignment M8 plug, 3-pos., view male side



Address

PHOENIX CONTACT Inc., USA
586 Fulling Mill Road
Middletown, PA 17057, USA
Phone (800) 888-7388
Fax (717) 944-1625
<http://www.phoenixcon.com>



© 2010 Phoenix Contact
Technical modifications reserved;