

## SACC-E-M12MS-5CON-M12 PSCUP


Order No.: 1436437



<http://eshop.phoenixcontact.de/phoenix/treeViewClick.do?UID=1436437>

Sensor/actuator flush-type connector, male connector, 5-pos., M12, A-encoded, front/screw mounting with M12 thread, with solder cups, plastic version

### Commercial data

GTIN (EAN)	 4 046356 438384
sales group	D125
Pack	20 pcs.
Customs tariff	85366990
Catalog page information	Page 36 (PC-2009)

### Product notes

WEEE/RoHS-compliant since:  
08/04/2008



<http://www.download.phoenixcontact.com>  
Please note that the data given here has been taken from the online catalog. For comprehensive information and data, please refer to the user documentation. The General Terms and Conditions of Use apply to Internet downloads.

### Technical data

#### General data

Rated current at 40°C	4 A
Rated voltage	60 V
Number of positions	5
Volume resistance	≤ 3 mΩ

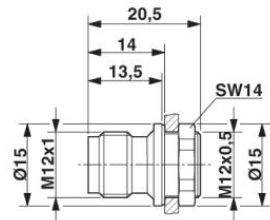
Insulation resistance	≥ 100 MΩ
Ambient temperature (operation)	-25 °C ... 85 °C (Male connector / female connector)

**General characteristics**

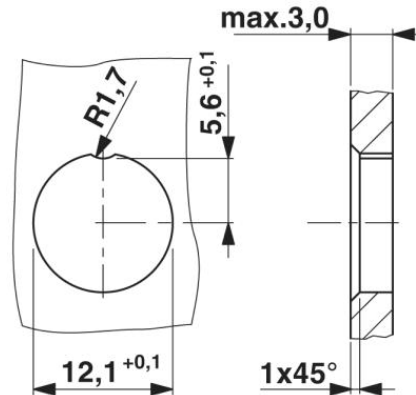
Standards/regulations	M12 connector IEC 61076-2-101
Coding	A - standard
Surge voltage category	II
Pollution degree	3
Degree of protection	IP67
Contact material	CuZn
Contact surface material	Au
Contact carrier material	PA 66
Material, knurls	PA 66
Sealing material	Viton
Mounting type	Front mounting M12 x 1 With flat nut
Type of connection	Solder cup
Conductor cross section stranded max.	0.25 mm <sup>2</sup>
Status display	No

**Diagrams/Drawings**

Dimensioned drawing



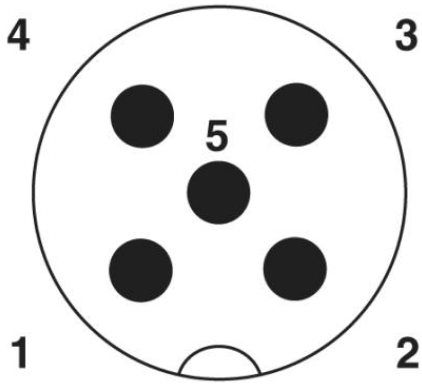
M12 flush-type connector



Housing cutout for M12 fastening thread, mounting panel with feed-through hole

Schematic diagram

---



Pin assignment M12 male connector, 5-pos., A-coded, male side

**Address**

PHOENIX CONTACT Inc., USA  
586 Fulling Mill Road  
Middletown, PA 17057, USA  
Phone (800) 888-7388  
Fax (717) 944-1625  
<http://www.phoenixcon.com>



© 2010 Phoenix Contact  
Technical modifications reserved;