


SACC-CI-FS-5CON-L 90 SH SCO


Order No.: 1432431

<http://eshop.phoenixcontact.de/phoenix/treeViewClick.do?UID=1432431>Sensor/actuator flush-type connector, socket, 5-pos., A-coded,
shielded, with angled solder connection, only contact insert

Commercial data	
GTIN (EAN)	 4 046356 410762
sales group	D125
Pack	20 pcs.
Customs tariff	85366990
Catalog page information	Page 35 (PC-2009)

Product notes

WEEE/RoHS-compliant since:
05/08/2008



<http://www.download.phoenixcontact.com>
Please note that the data given here has been taken from the online catalog. For comprehensive information and data, please refer to the user documentation. The General Terms and Conditions of Use apply to Internet downloads.

Technical data	
General data	
Rated current at 40°C	4 A
Rated voltage	60 V
Number of positions	5
Volume resistance	≤ 3 mΩ

Insulation resistance	≥ 100 MΩ
Ambient temperature (operation)	-25 °C ... 85 °C (Male connector / female connector)

General characteristics

Standards/regulations	M12 connector IEC 61076-2-101
Coding	A - standard
Surge voltage category	II
Pollution degree	3
Degree of protection	IP67
Contact material	CuZn
Contact surface material	Au
Contact carrier material	PA 66
Sealing material	FKM / EPDM
Mounting type	PCB mounting
Type of connection	Solder pins
Status display	No

Certificates / Approvals



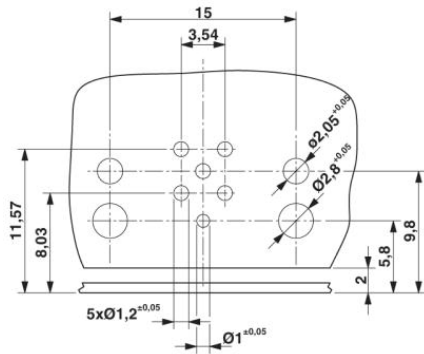
Certification GOST, UL

Additional products

Item	Designation	Description
Housing screw connection		
1432460	SACC-M12-SCO NUT L 90	M12-SPEEDCON housing screw connection for M12 female inserts, with flat gasket, for all Speedcon-compatible THR and wave soldering contact carriers

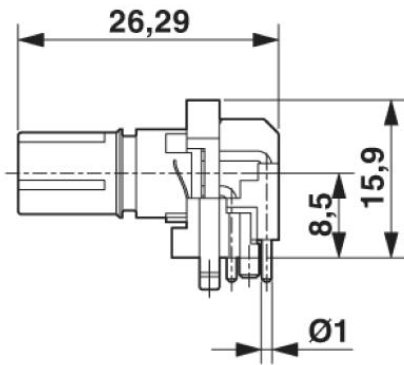
Diagrams/Drawings

Drilling plan/solder pad geometry

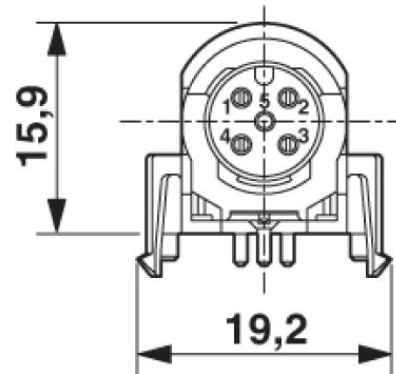


Drilling diagram only valid in connection with the **SACC-M12-SCO NUT L90** housing (order no. 1432460)

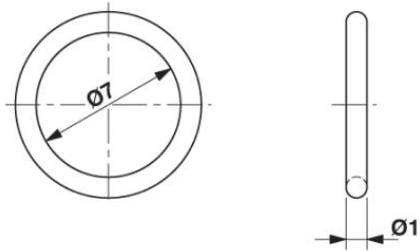
Dimensioned drawing



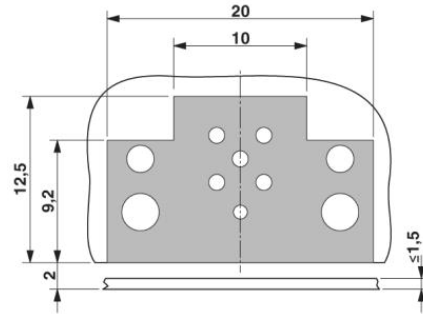
M12 flush-type connector, socket, contact carrier, side view



M12 flush-type connector, socket, contact carrier, front view

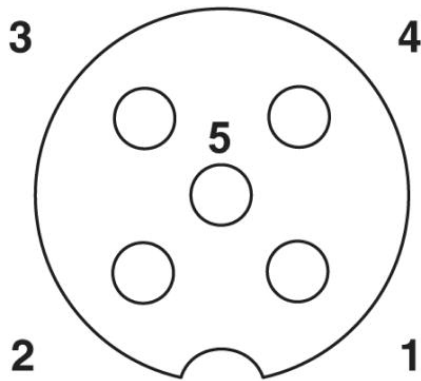


Optionally with O-ring (green) for tight seal when plugged in.
- the axial mating force of 80 N per connector may not be exceeded when using with assembled O-ring!
- Avoid radial forces!



Locked area on the PCB

Schematic diagram



Pin assignment M12 socket, 5-pos., A-coded, socket side view

Address

PHOENIX CONTACT Inc., USA
586 Fulling Mill Road
Middletown, PA 17057, USA
Phone (800) 888-7388
Fax (717) 944-1625
<http://www.phoenixcon.com>



© 2010 Phoenix Contact
Technical modifications reserved;