

# VIP-CAB-FLK50/0,14/1,0M

Order No.: 2318871



<http://eshop.phoenixcontact.de/phoenix/treeViewClick.do?UID=2318871>

Assembled round cable with two molded 50-pos. socket strips (1:1 connection). The cable has a 90° punched on connector and a 180° punched on connector, cable length: 1 m

Commercial data	
GTIN (EAN)	4046356312332
sales group	I580
Pack	1 pcs.
Customs tariff	85444290
Weight/Piece	0.2312 KG
Catalog page information	Page 259 (IF-2009)

#### Product notes

WEEE/RoHS-compliant since: 09/17/2007



<http://www.download.phoenixcontact.com>  
Please note that the data given here has been taken from the online catalog. For comprehensive information and data, please refer to the user documentation. The General Terms and Conditions of Use apply to Internet downloads.

Technical data	
<b>General</b>	
Nominal voltage $U_N$	< 50 V AC
	60 V DC
Max. current carrying capacity per path	1 A
Max. conductor resistance	0.16 $\Omega$ /m

Ambient temperature (operation)	-20 °C ... 50 °C
Ambient temperature (storage/transport)	-20 °C ... 70 °C
Number of positions	50
Number of positions, control side	50
Number of connectors, control side	1
Number of positions, module side	50
Number of connectors, modul side	1
Fixed cable length	1 m
Single wire, cross section	0.14 mm <sup>2</sup>
AWG	26
Conductor construction: Number of litz wires:	7
Single wire, material	Cu tin-plated
External diameter	10.3 mm
Cable, preassembly	Insulation displacement, IEC 60352-4/DIN EN 60352-4
Shielding	no

### Certificates / Approvals

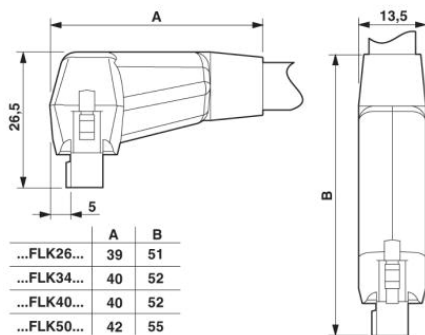


Certification

CUL, UL

### Diagrams/Drawings

Dimensioned drawing



**Address**

PHOENIX CONTACT Inc., USA  
586 Fulling Mill Road  
Middletown, PA 17057, USA  
Phone (800) 888-7388  
Fax (717) 944-1625  
<http://www.phoenixcon.com>



© 2010 Phoenix Contact  
Technical modifications reserved;