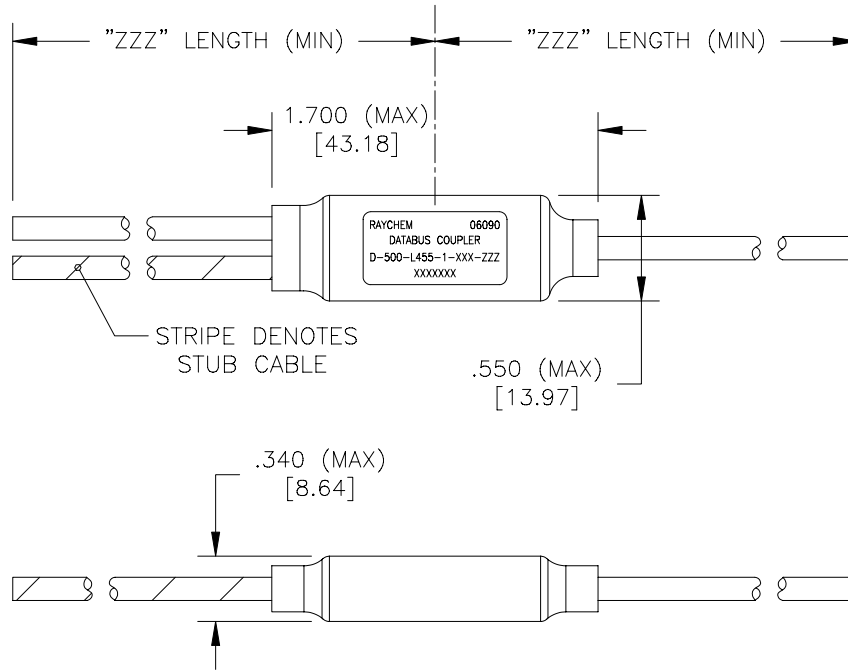


REVISION		
REV	DESCRIPTION	DATE
A	REVISED PER DCR NUMBER T31523	09JAN2003



COMPONENT NUMBER

D-500-L455-1-XXX-ZZZ

SCHEMATIC
5: STANDARD

NUMBER
OF STUBS

CABLE LENGTH
(INCHES)

CABLE

- 612: 10612 (OPTIMIZED SINGLE SHIELD)
- 613: 10613 (OPTIMIZED DOUBLE SHIELD)
- 614: 10614 (EMP HARDENED)
- EP3: EPD30653Q (BUS), EPD31346-6L9 (STUB)
(OPTIMIZED DOUBLE SHIELD)
- H06: 7724H0664 (FLAT SHIELD WIRE, UNFILLED)

SPECIFICATION CONTROL DRAWING

UNLESS OTHERWISE SPECIFIED
DIMENSIONS ARE INCHES. METRIC
DIMENSIONS ARE IN BRACKETS.

DRAWN
T RATZLAFF
DATE
07DEC2001

tyco
Electronics

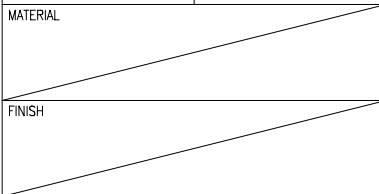
Tyco Electronics Corporation
300 Constitution Drive
Menlo Park, CA. 94025 U.S.A.

Raychem

DECIMAL TOLERANCES
.XXX ± 0.005 [0.13 mm]
.XX ± 0.010 [0.25 mm]
.X ± 0.020 [0.50 mm]

ANGLE TOLERANCE
.X ± 0.5 DEG.

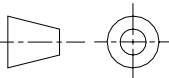
WEIGHT WITHOUT CABLE (MAX)
LBS. 0.0143 [6.50 gm]



TITLE
DATABUS MICROCOUPLER,
SINGLE STUB,
LIGHTWEIGHT

CAD FILE
T31523A.DWG

THIRD ANGLE
PROJECTION



SIZE
A
CODE IDENT. NO.
06090
DWG. NO.
D-500-L455-1-XXX-ZZZ

DO NOT SCALE THIS DRAWING

SHEET 1 OF 2

1. MATERIAL AND FINISHES:
 - 1.1 INTERNAL COMPONENTS:
 - TRANSFORMER TO MIL-PRF-21038 AND MIL-STD-1553B
 - RESISTORS TO MIL-PRF-39007/9, 57.6 OHMS
 - 1.2 SHIELDED CASE: ALUMINUM PER ASTM B 618 OR ASTM B211
 - 1.3 SEALED COVER: MODIFIED CROSS-LINKED, FLAME RETARDANT, BLACK, FLUOROPOLYMER TO RAYCHEM SPECIFICATION RW3016.
 - 1.4 CABLE TO RAYCHEM SPECIFICATION 1200.

2. APPLICATION:
 - 2.1 THIS COUPLER IS DESIGNED TO BE INSTALLED INTO A DIGITAL MULTIPLEX ASSEMBLY MEETING THE REQUIREMENTS OF MIL-STD-1553B.
 - 2.2 CABLE BEND RADIUS PER SAE-AS50881 STATIC BEND: 5 x CABLE O.D. MIN.
DYNAMIC BEND: 10 x CABLE O.D. MIN.

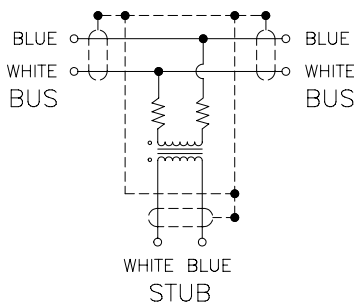
3. TEMPERATURE:
 - 3.1 OPERATING TEMPERATURE: -65°C TO +150°C

4. PERFORMANCE SPECIFICATIONS:
 - 4.1 COUPLER MEETS THE PERFORMANCE REQUIREMENTS OF MIL-STD-1553B AND USAF DRAWING 8912026.

5. WEIGHT:
 - 5.1 WEIGHT WITHOUT CABLE: 6.5 GRAMS (MAXIMUM).

6. ORDERING INFORMATION:
 - 6.1 ORDER PER COMPONENT NUMBER (SEE SHEET 1) AND DESIRED "ZZZ" CABLE LENGTH.
 - 6.2 SPECIFY CERTIFICATION OF CONFORMANCE REQUIREMENTS AS SEPARATE LINE ITEM.
 - 6.3 SPLICE KITS TO BE ORDERED SEPARATELY. PRODUCT NUMBER: D-150-0708-5.

SINGLE STUB COUPLER SCHEMATIC



SPECIFICATION CONTROL DRAWING

DRAWN	DATE
T RATZLAFF	07DEC2001
CAD FILE	T31523B.DWG



SIZE	CODE IDENT. NO.	DWG. NO.	REV
A	06090	D-500-L455-1-XXX-ZZZ	A
DO NOT SCALE THIS DRAWING		SHEET 2 OF 2	