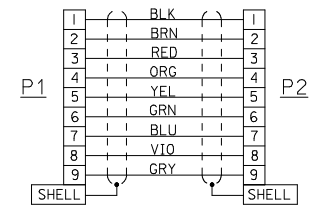
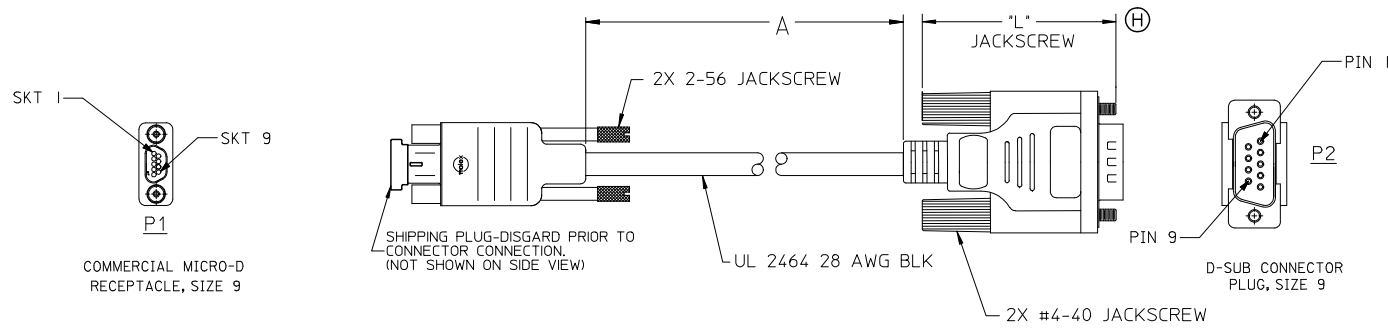


MATERIAL NO.	ENGINEERING NO.	CUT LENGTH "A"	TOLERANCES	DIM "L"
834219036	83421-9036	18.5 / 470.0	± .5 / 13.00	1.83 / 46.5
834219037	93421-9037	36.5 / 927.1	± .5 / 13.00	1.83 / 46.5
834219038	93421-9038	72.5 / 1841.5	± .5 / 13.00	1.83 / 46.5
834219286	83421-9286	196.8 / 5000.0	±3.94 / 100.0	1.73 / 44.0
834219289	83421-9289	7 / 177.8	± .5 / 13.00	1.83 / 46.5



NOTE: UNLESS OTHERWISE SPECIFIED.
 1. CABLE: UL 2464, 28 AWG, OR EQUIVALENT
 9 TOTAL CONDUCTORS, TINNED COPPER, 7 STRANDS.
 WIRE INSULATION: PVC.
 SHIELD: AL-FOIL / MYLAR, INCLUDING DRAIN WIRE & BRAID
 OUTER CABLE JACKET: PVC, COLOR BLACK.
 2. REFER TO PS-83421-9000 FOR PRODUCT SPECIFICATION.
 REFER TO DWG. E-83421-001 FOR ASSEMBLY INSTRUCTION.
 3. MICRO D 9 SOCKET CONNECTOR:
 INTERNAL INSULATOR: THERMOPLASTIC, UL 94V-0
 CONTACTS: COPPER ALLOY, GOLD PLATE OVER NICKEL PLATING.
 MOLEX CONTACT # 83000-9503
 INTERNAL BACKSHELL: NICKEL PLATED STEEL,
 EXTERNAL SHRULD, NICKEL PLATED STEEL.
 EXTERNAL INSULATOR: BLACK MOLDED PVC.
 4. D-SUB HIGH DENSITY 9 PIN MALE CONNECTOR (SOLDER TYPE)
 WITH OVERMOLDED INSULATOR.
 5. MARKING: NONE.
 6. ASSEMBLY IS ROHS COMPLIANT.

REV	DESCRIPTION	QUALITY SYMBOLS	GENERAL TOLERANCES (UNLESS SPECIFIED)		DIMENSION STYLE		SCALE	DESIGN UNITS	THIRD ANGLE PROJECTION
			mm	INCH	IN/MM	INCH			
REV JACKSCREW LEN	EC NO: WNA2010-0093	▽=0	4 PLACES ± --- ± ---		DRAWN BY	DATE	TITLE	CABLE ASSEMBLY 9 SKT COMM. MICRO D 9 PIN D-SUB	Molex MOLEX INCORPORATED
DRW: RUPERT	2009/08/17	▽=0	3 PLACES ± --- ± .005		J. LOMASTRO	02-17-06			
CHK: DRUBERT	2009/08/23		2 PLACES ± 0.13 ± .020		R. DEROSS	02-21-06			
APP: J. MURPHY			1 PLACE ± 0.51 ± ---		R. DEROSS	02-21-06			
			ANGULAR ± .5 °		MATERIAL NO.	DOCUMENT NO.			SHEET NO.
			DRAFT WHERE APPLICABLE MUST REMAIN WITHIN DIMENSIONS		SEE CHART	SD-83421-021			1 OF 1
			THIS DRAWING CONTAINS INFORMATION THAT IS PROPRIETARY TO MOLEX INCORPORATED AND SHOULD NOT BE USED WITHOUT WRITTEN PERMISSION						