

SACCEC-M12FSB-2CON-M16/1,0-910


Order No.: 1525607



<http://eshop.phoenixcontact.de/phoenix/treeViewClick.do?UID=1525607>

Bus system flush-type socket, PROFIBUS, 2-pos., M12, shielded, B-coded, front/screw mounting with M16 thread, with 1 m bus cable, 2 x 0.25 mm²



| Commercial data | |
|--------------------------|--|
| GTIN (EAN) |  |
| sales group | D125 |
| Pack | 1 pcs. |
| Customs tariff | 85444290 |
| Catalog page information | Page 273 (PC-2009) |

Product notes

WEEE/RoHS-compliant since: 03/13/2006



<http://www.download.phoenixcontact.com>
Please note that the data given here has been taken from the online catalog. For comprehensive information and data, please refer to the user documentation. The General Terms and Conditions of Use apply to Internet downloads.

| Technical data | |
|-----------------------|--------|
| General data | |
| Rated current at 40°C | 4 A |
| Rated voltage | 60 V |
| Number of positions | 2 |
| Volume resistance | ≤ 3 mΩ |

| | |
|-----------------------|----------|
| Insulation resistance | ≥ 100 MΩ |
| Length of cable | 1 m |

General characteristics

| | |
|--------------------------|---|
| Coding | B - inverse |
| Surge voltage category | II |
| Pollution degree | 3 |
| Degree of protection | IP67 |
| Contact material | CuZn |
| Contact surface material | Ni/Au |
| Contact carrier material | PA 66 |
| Material, knurls | Nickel-plated brass |
| Sealing material | NBR |
| Mounting type | Front mounting M16 x 1.5 With locking nut |
| Type of connection | PROFIBUS |
| Status display | No |
| Test voltage | 2500 V |

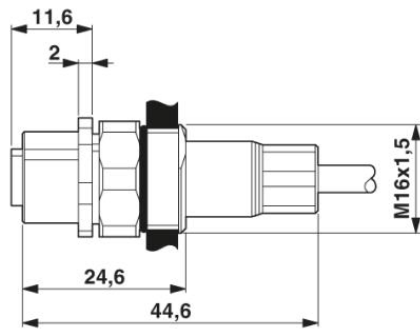
Conductor data

| | |
|------------------------------------|------------------------------------|
| Cable type | PROFIBUS |
| Cable type (abbreviation) | 910 |
| Conductor cross section | 0.25 mm ² |
| AWG signal line | 24 |
| Conductor structure signal line | 19x 0.13 mm |
| Core diameter including insulation | 2.55 mm ±0.07 mm |
| External cable diameter | 7.80 mm |
| Wire colors | Red, green |
| External sheath, color | Violet, RAL 4001 |
| Insulation resistance | ≥ 5 GΩ*km |
| Conductor resistance | ≤ 78.4 Ω/km |
| Working capacitance | 32 pF (core-core) |
| Wave impedance | Nom. 150 Ω ±10 % |
| Nominal voltage, conductor | 30 V |
| Test voltage Core/Core | 1500 V |
| Type of pair shielding | Aluminum-lined polyester foil |
| Overall twist | 2 cores with 2 fillers to the core |

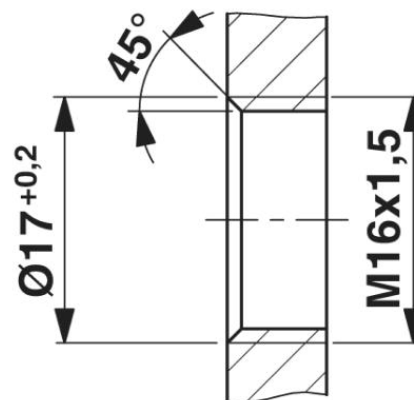
| | |
|---|---|
| Shielding | Tinned copper braided shield |
| Optical shield covering | 80 % |
| Outer sheath, material | PUR |
| Material conductor insulation | Foamed PE |
| Conductor material | Tin-plated Cu litz wires |
| Smallest bending radius, fixed installation | min. 78 mm |
| Smallest bending radius, movable installation | min. 78 mm |
| Number of bending cycles | 5000000 |
| Bending radius | 78 mm |
| Traversing path | 10 m |
| Traversing rate | 3 m/s |
| Acceleration | 7 m/s ² |
| Ambient temperature (operation) | -20 °C ... 80 °C (cable, fixed installation) |
| | -20 °C ... 80 °C (cable, flexible installation) |
| Flame resistance | IEC 60332-1 |
| | DIN EN 50265-2-1 |

Diagrams/Drawings

Dimensioned drawing

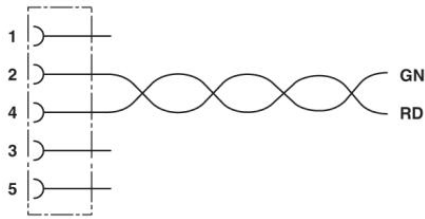


M12 flush-type connector



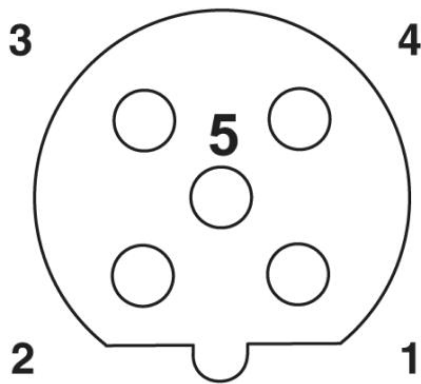
Housing cutout for M16 fastening thread,
mounting panel with thread

Circuit diagram



Contact assignment of the M12 socket

Schematic diagram



Pin assignment M12 female connector, 5-pos., B-coded, female side

Address

PHOENIX CONTACT Inc., USA
586 Fulling Mill Road
Middletown, PA 17057, USA
Phone (800) 888-7388
Fax (717) 944-1625
<http://www.phoenixcon.com>



© 2010 Phoenix Contact
Technical modifications reserved;