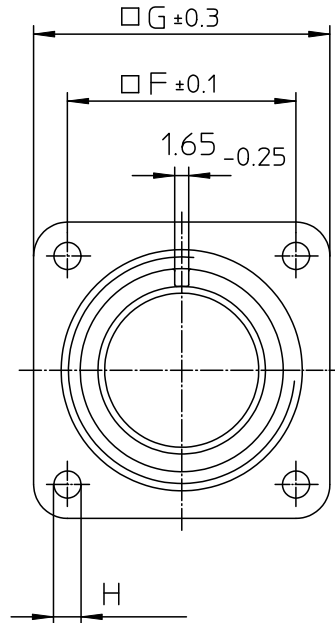
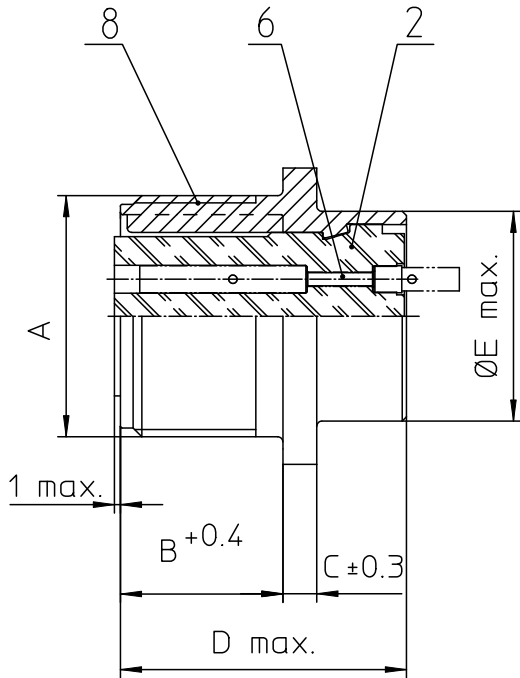
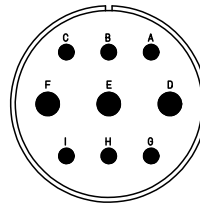


NO.	MASSE / DIMENSION
A	1 1/2-18NEF-2A
B	20.6
C	4
D	34.2
E	35.3
F	34.9
G	44.5
H	3.7



NO.	BESCHREIBUNG / DESCRIPTION
2	ISOLIERKÖRPER BUCHSE / INSULATOR SOCKET
6	KONTAKTBUCHSE / CONTACT SOCKET
8	DOSENGEHÄUSE / SHELL



Note: Due to an automatic nomenclature system, numbers generated may not be sequential.
 Notiz: Durch ein automatisches Benennungssystem können Nummerierungen entstehen, die nicht fortlaufend sind.

Material Specification:
 Shell Material: Aluminium alloy
 Shell Plating: Olive drab chromate coating over cadmium plating
 Insulator Material: Neoprene
 Contact Material: Copper alloy
 Contact Plating: Hard silver

<p>all dimensions are in mm Dimensions without tolerance indications are general tolerances in acc. with DIN 7180</p>		<p>drawing for CUSTOMER</p>
<p>Engineered for life ITT MANION GmbH D-71334 Winstedt, Germany</p>	<p>description MS3102E24-11S Box mounting receptacle</p>	
	<p>Solder Cup / Socket / Layout: 24-11</p>	
<p>© All rights reserved. Reproduction or use in any form without written authorization of ITT Cannon.</p>	<p>page 1/1</p>	<p>revision 302.8, Feb. 11</p>