

## SAC-4P-MICFR/10,0-PUR

**This item is no longer available. Should you have any questions, please contact our Sales Team.**

Order No.: 1527223

<http://eshop.phoenixcontact.de/phoenix/treeViewClick.do?UID=1527223>

Sensor/Actuator cable, 4-position, PUR/PVC, Black-gray RAL 7021, Free conductor end, on Socket, angled 1/2"-20UNF, Cable length: 10 m

### Commercial data

|                |               |
|----------------|---------------|
| GTIN (EAN)     | 4046356080521 |
| Note           | Made-to-order |
| sales group    | D144          |
| Pack           | 5 pcs.        |
| Customs tariff | 85444290      |
| Weight/Piece   | 0.22222 KG    |

### Product notes

WEEE/RoHS-compliant since:  
05/05/2006



<http://www.download.phoenixcontact.com>  
Please note that the data given here has been taken from the online catalog. For comprehensive information and data, please refer to the user documentation. The General Terms and Conditions of Use apply to Internet downloads.

### Certificates / Approvals

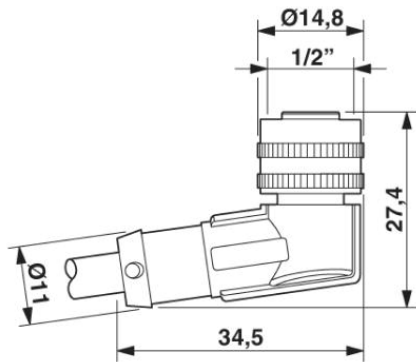


Certification

CUL Listed, UL Listed

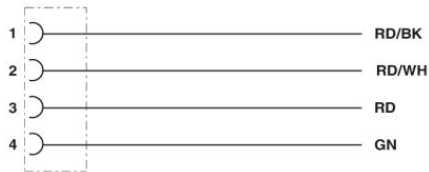
### Diagrams/Drawings

Dimensioned drawing



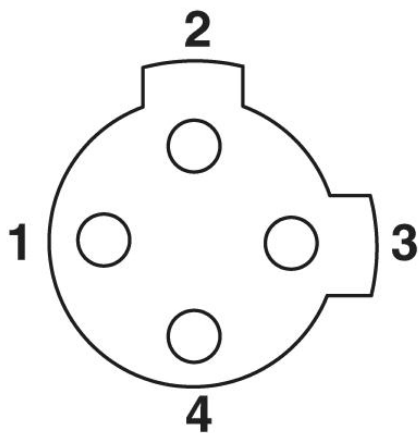
1/2"-20UNF socket, angled

Circuit diagram



Contact assignment of 1/2" UNF sockets

Schematic diagram



Pin assignment 1/2"-20UNF socket, 4-pos., view female side

**Address**

PHOENIX CONTACT Inc., USA  
586 Fulling Mill Road  
Middletown, PA 17057, USA  
Phone (800) 888-7388  
Fax (717) 944-1625  
<http://www.phoenixcon.com>



© 2010 Phoenix Contact  
Technical modifications reserved;