

# SACC-E-MS-8CON-M16/0,5 SCO


Order No.: 1523492



<http://eshop.phoenixcontact.de/phoenix/treeViewClick.do?UID=1523492>

Sensor/Actuator flush-type plug, 8-pos., M12-SPEEDCON, A-coded, front/screw mounting with M16 thread, with 0.5 m TPE litz wire, 8 x 0.25 mm<sup>2</sup>



| Commercial data          |  |
|--------------------------|--|
| GTIN (EAN)               |  |
| sales group              | D125   |
| Pack                     | 1 pcs.   |
| Customs tariff           | 85444290   |
| Catalog page information | Page 26 (PC-2009)  |

### Product notes

WEEE/RoHS-compliant since: 01/16/2007



<http://www.download.phoenixcontact.com>  
Please note that the data given here has been taken from the online catalog. For comprehensive information and data, please refer to the user documentation. The General Terms and Conditions of Use apply to Internet downloads.

| Technical data        |        |
|-----------------------|--------|
| <b>General data</b>   |        |
| Rated current at 40°C | 2 A    |
| Rated voltage         | 30 V   |
| Number of positions   | 8      |
| Volume resistance     | ≤ 3 mΩ |

---

|                                 |  |
|---------------------------------|--|
| Insulation resistance           | ≥ 100 MΩ   |
| Length of cable                 | 0.5 m  |
| Ambient temperature (operation) | -25 °C ... 85 °C (Male connector / female connector) |

**General characteristics**

|                          |                                |
|--------------------------|--------------------------------|
| Standards/regulations    | M12 connector IEC 61076-2-101  |
| Coding                   | A - standard                   |
| Surge voltage category   | II                             |
| Pollution degree         | 3                              |
| Degree of protection     | IP67                           |
| Contact material         | CuZn                           |
| Contact surface material | Au                             |
| Contact carrier material | PA 66                          |
| Material, knurls         | Zinc die-cast, (nickel-plated) |
| Sealing material         | NBR                            |
| Mounting type            | Front mounting M16 x 1.5       |
| Type of connection       | Individual wires               |
| Status display           | No                             |

**Conductor data**

|                                    |  |
|------------------------------------|--|
| Cable type                         | TPE litz wire                                      |
| Conductor cross section            | 0.25 mm <sup>2</sup>                               |
| AWG signal line                    | 24   |
| Conductor structure signal line    | 14x 0.15 mm  |
| Core diameter including insulation | 1.15 mm ±0.07 mm                                   |
| Thickness, insulation              | 0.21 mm (Core insulation)                          |
| Wire colors                        | Brown, blue, white, gray, pink, green, yellow, red |
| Insulation resistance              | ≥ 20 MΩ*km   |
| Conductor resistance               | ≤ 80 mΩ/m  |
| Nominal voltage, conductor         | 300 V  |
| Test voltage, conductor            | 2000 V AC  |
| Material conductor insulation      | TPE  |
| Conductor material                 | Tin-plated Cu litz wires                           |
| Ambient temperature (operation)    | -25 °C ... 90 °C (cable, fixed installation)       |

Certificates / Approvals

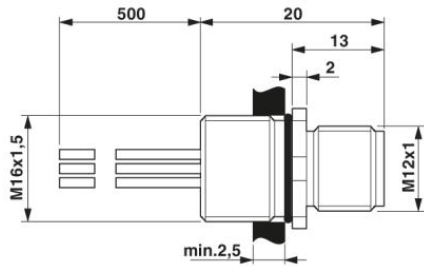


Certification

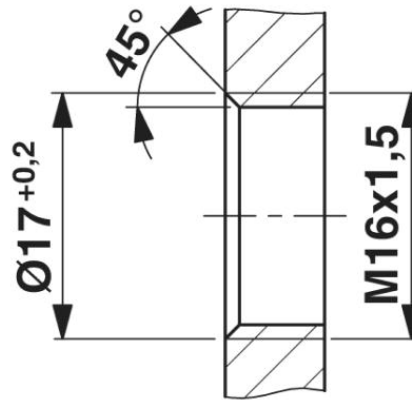
UL

Diagrams/Drawings

Dimensioned drawing

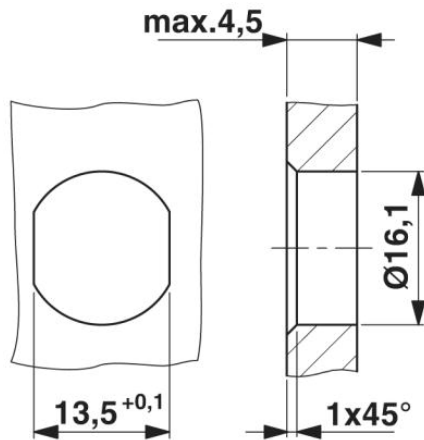


M12 flush-type connector

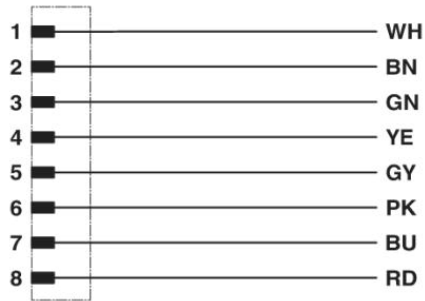


Housing cutout for M16 fastening thread, mounting panel with thread

Housing cutout for M16 fastening thread, mounting panel with feed-through hole (alternatively with surface as protection against rotation)

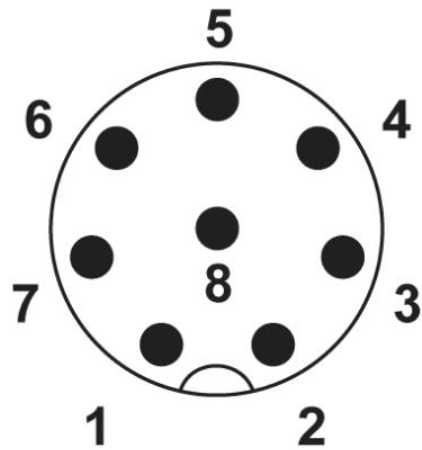


Circuit diagram



Contact assignment of the M12 plug

Schematic diagram



Pin assignment M12 plug, 8-pos., view plug side

**Address**

PHOENIX CONTACT Inc., USA  
586 Fulling Mill Road  
Middletown, PA 17057, USA  
Phone (800) 888-7388  
Fax (717) 944-1625  
<http://www.phoenixcon.com>



© 2010 Phoenix Contact  
Technical modifications reserved;