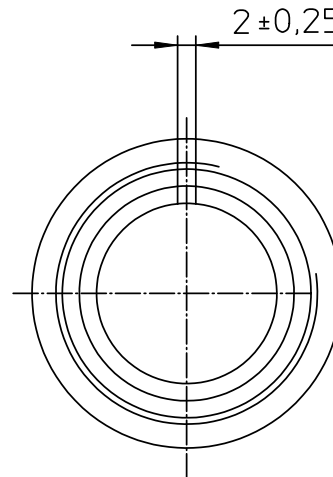
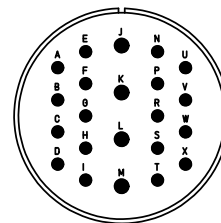



NO.	MASSE / DIMENSION
A	50.2
B	1 3/4-18UNS-2B
C	1 5/8-18NEF-2A
D	39.3



NO.	BESCHREIBUNG / DESCRIPTION
2	ISOLIERKÖRPER BUCHSE / INSULATOR SOCKET
6	KONTAKTBUCHSE / CONTACT SOCKET
7	ZYLINDERGHÄUSE / BARREL
9	ÜBERWURFMUTTER / COUPLING NUT
10	DICHTRING FRONT / FRONT SEALING RING



Note: Due to an automatic nomenclature system, numbers generated may not be sequential.
Notiz: Durch ein automatisches Benennungssystem können Nummerierungen entstehen, die nicht fortlaufend sind.
Material Specification:
Shell Material: Aluminium alloy
Shell Plating: Olive drab chromate coating over cadmium plating
Insulator Material: Neoprene
Contact Material: Copper alloy
Contact Plating: Hard silver

all dimensions are in mm Dimensions without tolerance indications are general tolerances in acc. with DIN7168m	drawing for CUSTOMER
 ITT Engineered for life ITT CANON GmbH D-71364 Heilbronn/Germany	description CA3106E28-11SX-F42 Plug, straight without Endbell Solder Cup / Socket / Layout: 28-11
© All rights reserved. Reproduction or issue to third in any form whatever is only permitted with written authorization of ITT Canon	page 1/1 revision 302.8, Feb 11