


# SACC-EC-M12FS-5CON-PG9/0,5

Order No.: 1671108



<http://eshop.phoenixcontact.de/phoenix/treeViewClick.do?UID=1671108>

Sensor/Actuator flush-type socket, 5-pos., M12, A-coded, front/screw mounting with PG9 thread, can be positioned, with 0.5 m TPE litz wire, 5 x 0.34 mm<sup>2</sup>

Commercial data	
GTIN (EAN)	
sales group	D125
Pack	1 pcs.
Customs tariff	85366990
Catalog page information	Page 25 (PC-2009)

#### Product notes

WEEE/RoHS-compliant since: 03/10/2006



<http://www.download.phoenixcontact.com>  
Please note that the data given here has been taken from the online catalog. For comprehensive information and data, please refer to the user documentation. The General Terms and Conditions of Use apply to Internet downloads.

Technical data	
General data	
Rated current at 40°C	4 A
Rated voltage	60 V
Number of positions	5
Volume resistance	≤ 3 mΩ

Insulation resistance	> 10 Ω
Length of cable	0.5 m
Ambient temperature (operation)	-25 °C ... 85 °C (Male connector / female connector)

**General characteristics**

Standards/regulations	M12 connector IEC 61076-2-101
Coding	A - standard
Surge voltage category	II
Pollution degree	3
Degree of protection	IP67
Contact material	CuZn
Contact surface material	Ni/Au
Material, knurls	Nickel-plated brass
Sealing material	NBR
Mounting type	Front mounting Pg9 With locking nut
Type of connection	Individual wires
Status display	No

**Conductor data**

Cable type	TPE litz wire
Conductor cross section	0.34 mm <sup>2</sup>
AWG signal line	22
Conductor structure signal line	7x 0.25 mm
Core diameter including insulation	1.2 mm ±0.07 mm
Thickness, insulation	0.21 mm
Wire colors	Black, brown, blue, white, gray
Insulation resistance	≥ 20 MΩ*km
Conductor resistance	≤ 57.6 Ω/km
Nominal voltage, conductor	300 V
Test voltage, conductor	2000 V AC
Material conductor insulation	TPE
Conductor material	Tin-plated Cu litz wires
Ambient temperature (operation)	-25 °C ... 90 °C (cable, fixed installation)

**Certificates / Approvals**



Certification

CUL, GOST, UL

**Accessories**

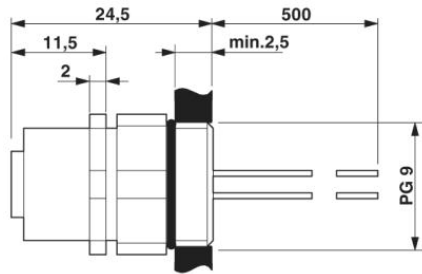
Item	Designation	Description
------	-------------	-------------

**Assembly**

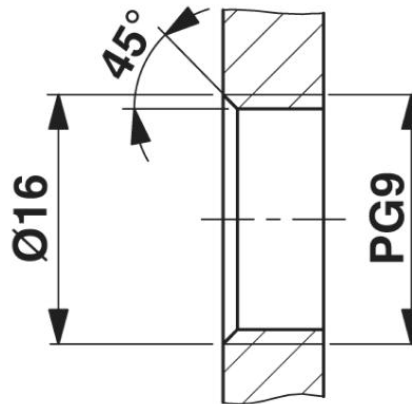
1504084	SACC-E-MU-PG9	Flat nut with Pg9 thread
---------	---------------	--------------------------

**Diagrams/Drawings**

Dimensioned drawing

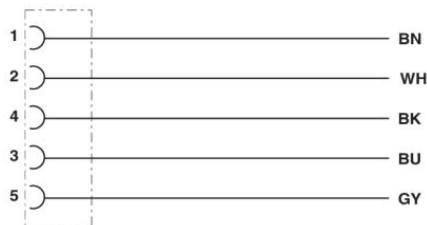


M12 flush-type socket, can be positioned



Housing cutout for Pg9 fastening thread, mounting panel with thread

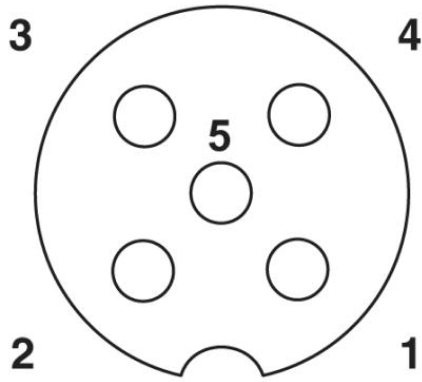
Circuit diagram



Contact assignment of the M12 plug and the M12 socket

Schematic diagram

---



Pin assignment M12 socket, 5-pos., A-coded, socket side view

**Address**

PHOENIX CONTACT Inc., USA  
586 Fulling Mill Road  
Middletown, PA 17057, USA  
Phone (800) 888-7388  
Fax (717) 944-1625  
<http://www.phoenixcon.com>



© 2010 Phoenix Contact  
Technical modifications reserved;