

# SACC-DSI-M 8FS-4CON-M12/0,5


Order No.: 1453452



<http://eshop.phoenixcontact.de/phoenix/treeViewClick.do?UID=1453452>

Sensor/actuator flush-type socket, 4-pos., M8, rear/screw mounting, with M12 thread, with 0.5 m TPE litz wire, 3 x 0.25 mm<sup>2</sup>

## Commercial data

GTIN (EAN)	 4 046356 554404
sales group	D125
Pack	1 pcs.
Customs tariff	85444290

## Product notes

WEEE/RoHS-compliant since:  
12/17/2009



<http://www.download.phoenixcontact.com>  
Please note that the data given here has been taken from the online catalog. For comprehensive information and data, please refer to the user documentation. The General Terms and Conditions of Use apply to Internet downloads.

## Technical data

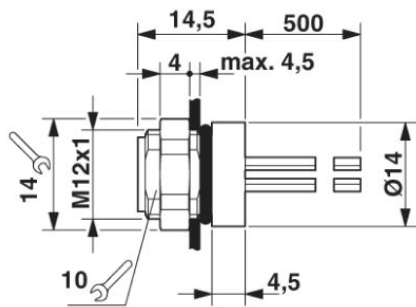
### General data

Rated current at 40°C	4 A
Rated voltage	30 V
Number of positions	4
Volume resistance	≤ 3 mΩ
Insulation resistance	≥ 100 MΩ

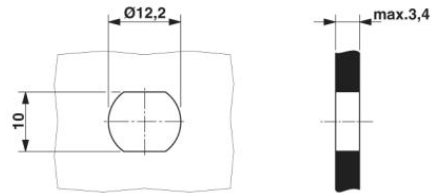
Length of cable	0.5 m
<b>General characteristics</b>	
Standards/regulations	M8 connector IEC 61076-2-104
Surge voltage category	II
Pollution degree	3
Degree of protection	IP67
Contact material	Cu alloy
Contact surface material	Au
Contact carrier material	PUR / PA66
Material, knurls	Nickel-plated brass
Sealing material	Viton
Mounting type	Rear mounting M12 x 1
Type of connection	Individual wires
Status display	No
<b>Conductor data</b>	
Cable type	TPE litz wire
Conductor cross section	0.25 mm <sup>2</sup>
AWG signal line	24
Conductor structure signal line	14x 0.15 mm
Core diameter including insulation	1.15 mm ±0.07 mm
Thickness, insulation	0.21 mm
Wire colors	Black, brown, blue, white
Insulation resistance	≥ 20 MΩ*km
Conductor resistance	≥ 80 Ω/km
Nominal voltage, conductor	300 V
Test voltage, conductor	2000 V AC
Material conductor insulation	TPE
Conductor material	Tin-plated Cu litz wires

## Diagrams/Drawings

### Dimensioned drawing

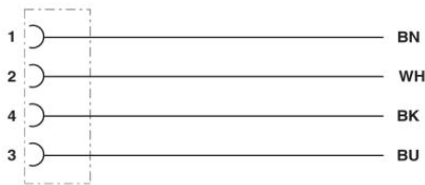


M8 flush-type socket



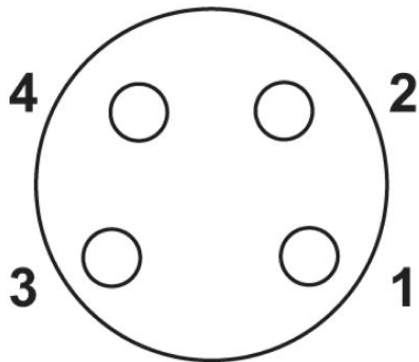
Housing cutout for M8 flush-type connector, socket, one-section

### Circuit diagram



Contact assignment of M8 plugs/sockets

### Schematic diagram



Pin assignment M8 socket, 4-pos., view female side

**Address**

PHOENIX CONTACT Inc., USA  
586 Fulling Mill Road  
Middletown, PA 17057, USA  
Phone (800) 888-7388  
Fax (717) 944-1625  
<http://www.phoenixcon.com>



© 2010 Phoenix Contact  
Technical modifications reserved;