


**SACC-E-MS-4CON-M16/0,5 SCO PO**

Order No.: 1401052

<http://eshop.phoenixcontact.de/phoenix/treeViewClick.do?UID=1401052>

Sensor/actuator sealed flush-type connector, 4-pos., M12  
SPEEDCON, A-encoded, front/screw mounting with M16 thread, with  
0.5 m TPE litz wire, 4 x 0.34 mm<sup>2</sup>

**Commercial data**

GTIN (EAN)	
Note	Made-to-order
sales group	D125
Pack	1 pcs.
Customs tariff	85444290

**Product notes**

WEEE/RoHS-compliant since:  
07/16/2009



<http://www.download.phoenixcontact.com>  
Please note that the data given here has been taken from the online catalog. For comprehensive information and data, please refer to the user documentation. The General Terms and Conditions of Use apply to Internet downloads.

**Certificates / Approvals**

Certification

UL

**Accessories**

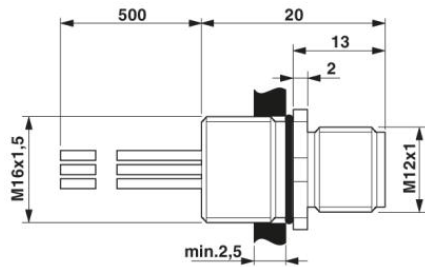
Item	Designation	Description
------	-------------	-------------

**Assembly**

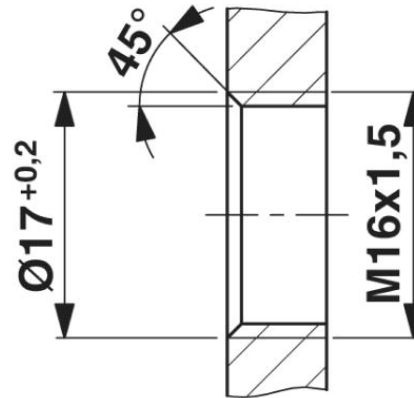
1504097	SACC-E-MU-M16	Flat nut with M16 thread
---------	---------------	--------------------------

**Diagrams/Drawings**

Dimensioned drawing

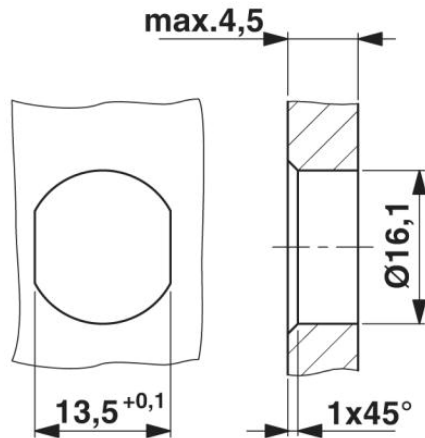


M12 flush-type connector

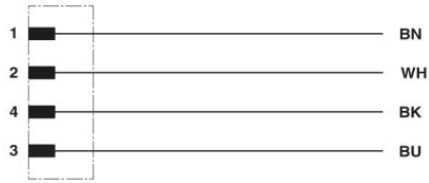


Housing cutout for M16 fastening thread, mounting panel with thread

Housing cutout for M16 fastening thread, mounting panel with feed-through hole (alternatively with surface as protection against rotation)

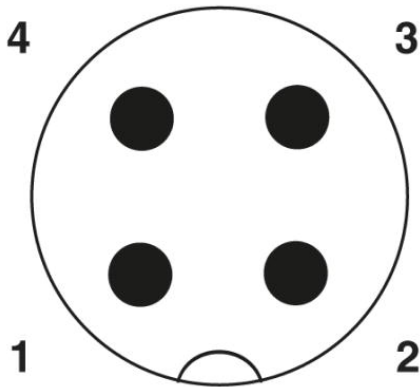


Circuit diagram



Contact assignment of the M12 plug and the M12 socket

Schematic diagram



Pin assignment M12 plug, 4-pos., A-coded, view plug side

**Address**

PHOENIX CONTACT Inc., USA  
586 Fulling Mill Road  
Middletown, PA 17057, USA  
Phone (800) 888-7388  
Fax (717) 944-1625  
<http://www.phoenixcon.com>



© 2010 Phoenix Contact  
Technical modifications reserved;