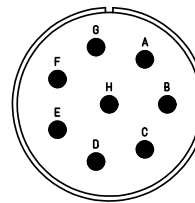
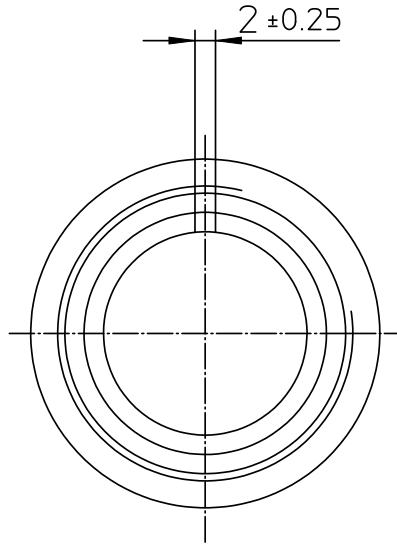


NO.	MASSE / DIMENSION
A	40.5
B	1 3/8-18UNEF-2B
C	1 1/4-18NEF-2A
D	37.7

NO.	BESCHREIBUNG / DESCRIPTION
1	ISOLIERKÖRPER STIFT / INSULATOR PIN
5	KONTAKTSTIFT / CONTACT PIN
7	ZYLINDERGHÄUSE / BARREL
9	ÜBERWURFMUTTER / COUPLING NUT
10	DICHTRING FRONT / FRONT SEALING RING



Note: Due to an automatic nomenclature system, numbers generated may not be sequential.
 Note: Durch ein automatisches Benennungssystem können Nummerierungen entstehen, die nicht fortlaufend sind.

Material Specification:
Shell Material: Aluminium alloy
Shell Plating: Olive drab chromate coating over cadmium plating
Insulator Material: Neoprene
Contact Material: Copper alloy
Contact Plating: Hard silver

all dimensions are in mm
 Dimensions without tolerance indications are general tolerances in acc. with DIN7168m
 drawing for CUSTOMER

ITT
 Engineered for life
 ITT CANADA CORP.
 61-17300, Wiesbaden, Germany

description CA3106E22-23P-F42
 Plug, straight
 without Endbell
 Solder Cup / Pin / Layout: 22-23

© All rights reserved. Reproduction or issue in any form without written authorization of ITT Cannon
 page 1/1
 revision 302.8, Feb 11