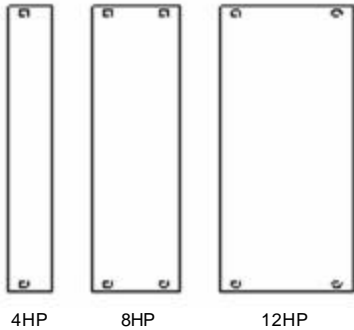


PCB Front Panels



4HP 8HP 12HP

EMC Front Panels

Features

- Covers unused slots
- Improves air flow
- Prevents EMI leakage
- Panel mounting hardware included

3U, 6U cPCI Heights with Gaskets 9U Height available

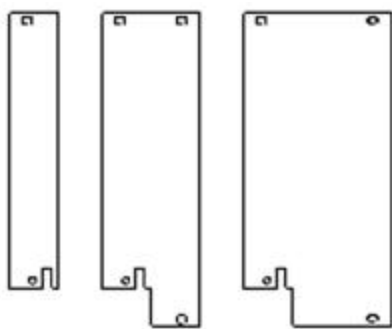
U	Part Number 4HP	Part Number 8HP	Part Number 12HP
3	FP52A4HP	FP52A8HP	FP52A12HP
6	FP10A4HP	FP10A8HP	FP10A12HP
9	FP15A4HP	FP15A8HP	FP15A12HP

Panel Kit Includes
For 3U Panels

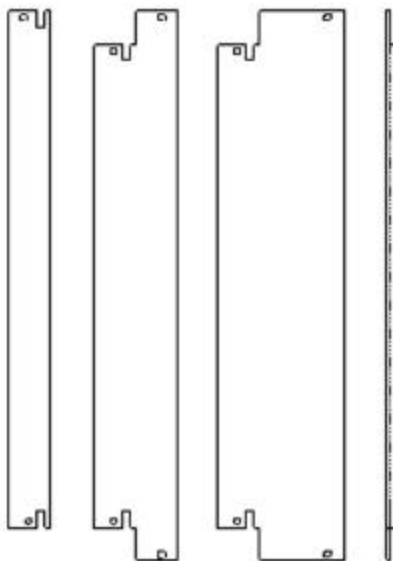
For 6U & 9U Panels

Qty	Part Description	Qty	Part Description
1	EMC Panel (select size)	1	EMC Panel (select size)
2	Sleeve, Plastic, Black	2	Sleeve, Plastic, Black
2	Screw 2.5mm x 11mm Nickel plated	2	Screw 2.5mm x 11mm Nickel plated
1	EMC gasket 3U if required	1	93400015-6 or 93400015-9 emc gasket for 6U or 9U panel, as indicated

Material: 6063T5, Brushed Aluminum/Chem Film Plating



3U cPCI FRONT PANEL



6U cPCI FRONT PANEL

Front Panels for PC Boards with Injector/Ejector Cutouts

Features

- 4HP, 8HP, 12 HP Widths
- 3U, 6U & 9U Heights
- Cutouts for Injector/Ejector Handles
- Panel mount handles included
- Includes ESD gaskets

U	Part Number 4HP	Part Number 8HP	Part Number 12HP
3	FP52B4HP-1	FP52B8HP-1	FP52B12HP-1
6	FP10B4HP-1	FP10B8HP-1	FP10B12HP-1
9	FP15B4HP-1	FP15B8HP-1	FP15B12HP-1

Available separately:

Injector/Ejector Kit: 90100016

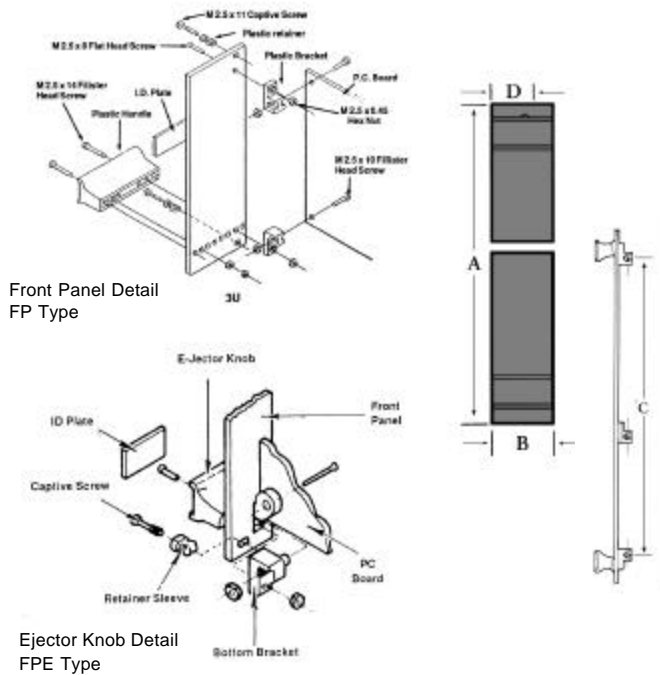
includes 2 top & bottom injector/ejectors & hardware

Material: 6063T5, Brushed Aluminum/Chem Film Plating

1U = 1.75"
1 HP = .200" (5.08mm)

Subracks

Front Panels



Screw mounted front panel kit include handle and identification panel. Available in 3U, 6U, and 9U heights and in two widths: 4HP (0.778") and 8HP (1.588"). All mounting hardware, including board mounting support bracket and hardware also included. Panel with clear chromate plating matches standard finish for Vector packaging products.

Part No.	Ht	HP	A	B	C	D
FP04-3U	3U	4 HP	5.06" (129mm)	.778" (20mm)	3.5" (89mm)	.494" (12mm)
FP08-3U	3U	8 HP	5.06" (129mm)	1.588" (40mm)	3.5" (89mm)	1.294" (33mm)
FP03-6U	6U	3 HP	10.31" (262mm)	.58" (14mm)	8.750" (222mm)	.315" (8mm)
FP04-6U	6U	4 HP	10.31" (262mm)	.778" (20mm)	8.750" (222mm)	.494" (12mm)
FP08-6U	6U	8 HP	10.31" (262mm)	1.588" (40mm)	8.750" (222mm)	1.294" (33mm)

Dress Panels

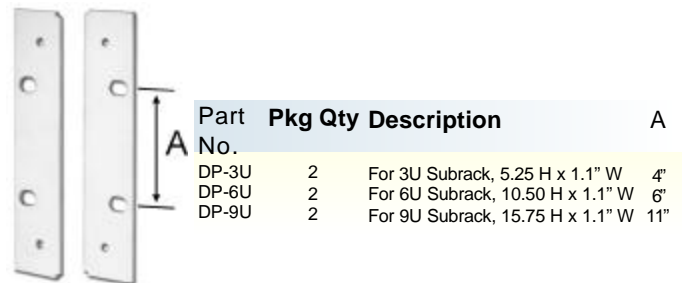
Dress panels provide an attractive, finished look for Vector Card Cages and are required when adding handles. (mounting hardware included)

Subracks

Filler Panels

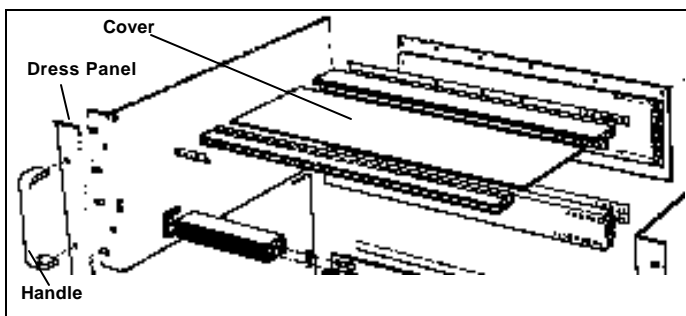
Filler panels mount over the length of subrack extrusions to provide a "finished" look to subracks and cage front panels. Use to cover front of extrusion when nut strip is not used, and a "finished" look is desired. Brushed aluminum with clear chem film finish matches standard Vector packaging products. Mounting hardware included.

Part No.	Width	Height
FP-3U	.388"	3U
FP-6U	.388"	6U
FP-9U	.388"	9U



Part No.	Pkg Qty	Description	A
DP-3U	2	For 3U Subrack, 5.25 H x 1.1" W	4"
DP-6U	2	For 6U Subrack, 10.50 H x 1.1" W	6"
DP-9U	2	For 9U Subrack, 15.75 H x 1.1" W	11"

Top/Bottom Covers



Panels provide maximum protection for card cage interiors. Perforated to insure proper airflow. Constructed from .062" aluminum, satin finish with clear irridite plating. Covers slide into T-strut grooves, no mounting hardware required.

Part No.	Pkg Qty	Width	Depth	For card size
AC160-84-1	2	16.98"	4.93"	160mm
AC220-84-1	2	16.98"	7.29"	220mm
AC280-84-1	2	16.98"	9.65"	280mm
AC340-84-1	2	16.98"	12.01"	340mm
AC400-84-1	2	16.98"	14.37"	400mm