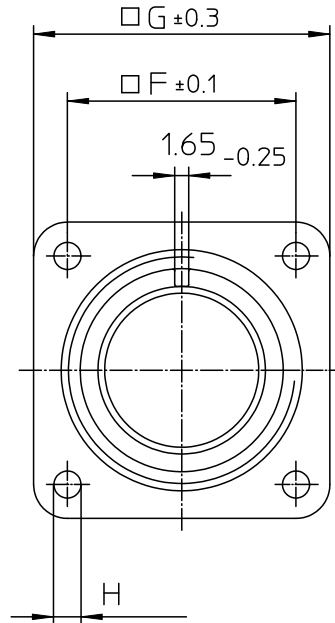
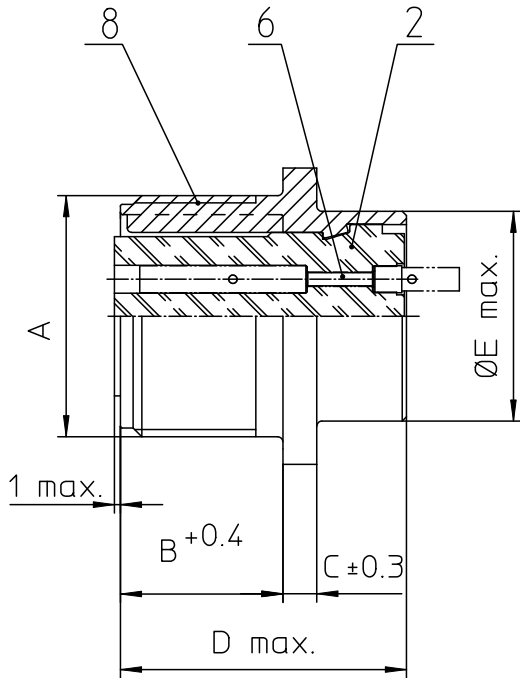
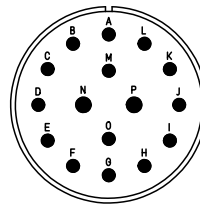


NO.	MASSE / DIMENSION
A	1 1/2-18NEF-2A
B	20.6
C	4
D	34.2
E	35.3
F	34.9
G	44.5
H	3.7



NO.	BESCHREIBUNG / DESCRIPTION
2	ISOLIERKÖRPER BUCHSE / INSULATOR SOCKET
6	KONTAKTBUCHSE / CONTACT SOCKET
8	DOSENGEHÄUSE / SHELL



Note: Due to an automatic nomenclature system, numbers generated may not be sequential.
 Notiz: Durch ein automatisches Benennungssystem können Nummerierungen entstehen, die nicht fortlaufend sind.

Material Specification:
Shell Material: Aluminum alloy
Shell Plating: Olive drab chromate coating over cadmium plating
Insulator Material: Neoprene
Contact Material: Copper alloy
Contact Plating: Hard silver

all dimensions are in mm		Dimensions without tolerance indications are general tolerances in acc. with DIN 7180	drawing for
		description	CUSTOMER
Engineered for life ITT MANION GmbH D-71334 Winstedt, Germany		MS3102R24-7SW Box mounting receptacle	
© All rights reserved. Reproduction or use in any form without written authorization of ITT Cannon.		Solder Cup / Socket / Layout: 24-7	
	page 1/1	revision 302.8, Feb. 11	