

Fuse Strips with Housing Rated 80V

RoHS

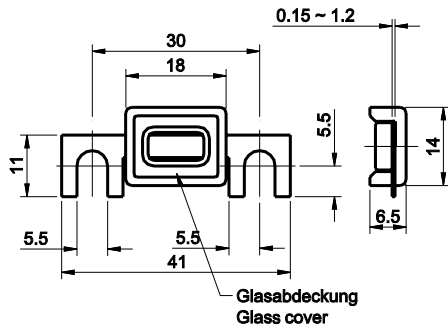


Bolt-down Fuses

Housed fuse strips with window for visual inspection of melting element. Current rating 30A - 150A, 80 VDC. 90° fork type lugs.

Sicherungsstreifen mit Gehäuse, Fenster für visuelle Überprüfung des Schmelzelements. Nennstrom 30A bis 150A, 80 VDC. 90°-Anschluss in Gabelform.

Dimensions in mm / Maße in mm



Specifications

DIN 72581/2

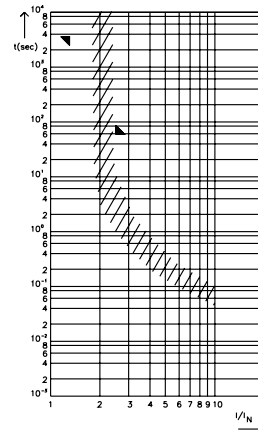
Insulating body: Out of ceramic

Metal parts: Zinc-alloy

Packaging:

Series Serien	Pack Size
156.5611.xxx1	50

Pre-arcing Time - limits / Schmelzeit-Grenzwerte DIN



FI = 1.00 (max. operating current : 1.0 x I_{rat} at 23°C)

Time-Current Characteristics / Schmelzeit-Grenzwerte

% of Rating % des Nennstromes	Opening Time Min / Max (s) Schmelzcharakteristik Min / Max (s)
130	3,600 s / –
250	– / 60 s

Part Number Artikel-Nr.	Current Rating Nennstrom	Typ. Voltage Drop Typ. Spannungsfall
156.5611.5301	30 A*	70 mV
156.5611.5401	40 A*	70 mV
156.5611.5501	50 A*	70 mV
156.5611.5601	60 A*	70 mV
156.5611.5701	70 A*	70 mV
156.5611.5801	80 A*	70 mV
156.5611.6101	100 A*	70 mV
156.5611.6111	120 A*	70 mV
156.5611.6121	125 A*	70 mV
156.5611.6151	150 A*	70 mV

Corresponding holder see Section "Fuse Holders."

*Not mentioned in the standards.