

**BF1 Fuse Rated 32V**

RoHS



This BF1 fuse is rated at 32V and offers a bolt-on fuse for high current wiring protection. Current rating 23A - 200A; with transparent housing for easy detection of blown fuses.

BF1 ist eine Schraubsicherung mit 32V Nennspannung zum Schutz von Hochstrom-Verdrahtungen. Nennstrom 23A bis 200A, transparente Abdeckung zur leichten Erkennung durchgebrannter Sicherungen.

**Specifications**

ISO 8820-5  
UL 248 Special Purpose Fuses

- Housing:** Out of thermoplastic (UL 94-V0, heat-resistant)  
Visible melting element
- Terminals:** Copper alloy, gal. Sn  
2 x M5 or M6 bolts, distance 30 mm
- Starting torque:** 4.5 Nm +/- 1Nm
- Interrupting Rating:** 23A: 1000A @32 VDC  
30A - 150A: 2000A @32 VDC  
200A: 1500A @32 VDC

**Packaging:**

Series Serien	Pack Size
153.5631.xxx1	10
153.5631.xxx2	1000

**Time-Current Characteristics / Schmelzeit-Grenzwerte**

% of Rating % des Nennstromes	Opening Time Min / Max (s) Schmelzcharakteristik Min / Max (s)
75 (200A)	360,000 s / -
100 (23A-150A)	360,000 s / -
110 (23A-150A)	14,400 s / -
150 (23A-150A)	90 s / 3,600 s
200 (23A-150A)	3 s / 300 s
200 (200A)	1 s / 15 s
300 (23A-150A)	0.300 s / 3 s
350 (200A)	0.300 s / 5 s
500 (23A-150A)	0.100 s / 1 s
600 (200A)	0.100 s / 1 s

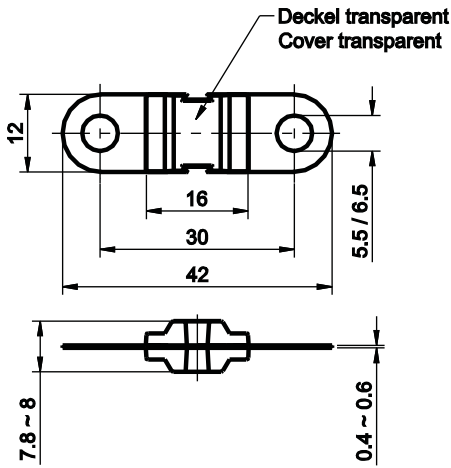
Part Number Artikel-Nr.		Current Rating Nennstrom	Housing Color Kennfarbe	Typ. Voltage Drop Typ. Spannungsfall Littelfuse max.	Cold Resistance Kaltwiderstand	I <sup>2</sup> t
M5	M6					
153.5631.523_1,2	-	23 A		105 mV	3.50 mΩ	1,400 A²s
153.5631.530_2	153.7010.530_2	30 A		105 mV	2.70 mΩ	5,100 A²s
153.5631.540_	153.7010.540_	40 A		90 mV	1.56 mΩ	6,800 A²s
153.5631.550_	153.7010.550_	50 A		80 mV	1.03 mΩ	6,900 A²s
153.5631.560_	153.7010.560_	60 A		75 mV	0.75 mΩ	16,200 A²s
153.5631.570_	153.7010.570_	70 A		70 mV	0.64 mΩ	22,000 A²s
153.5631.580_	153.7010.580_	80 A		70 mV	0.55 mΩ	25,600 A²s
153.5631.610_	153.7010.610_	100 A		70 mV	0.44 mΩ	42,500 A²s
153.5631.612_	153.7010.612_	125 A		70 mV	0.34 mΩ	62,500 A²s
153.5631.615_	153.7010.615_	150 A		70 mV	0.29 mΩ	83,400 A²s
153.5631.620_	153.7000.620_	200 A		70 mV	0.24 mΩ	126,000 A²s

Note 1: Not mentioned in standards. Note 2: Not UL-rated.

Bolt-down Fuses

## BF1 Fuse Rated 32V

Dimensions in mm / Maße in mm



Pre-arcing Time - limits / Schmelzeit-Grenzwerte DIN



23 A - 150 A: FI = 1.25 (max. operating current: 0.8 x I<sub>rat</sub> at 23°C)

200 A: FI = 2.00 (max. operating current: 0.5 x I<sub>rat</sub> at 23°C)