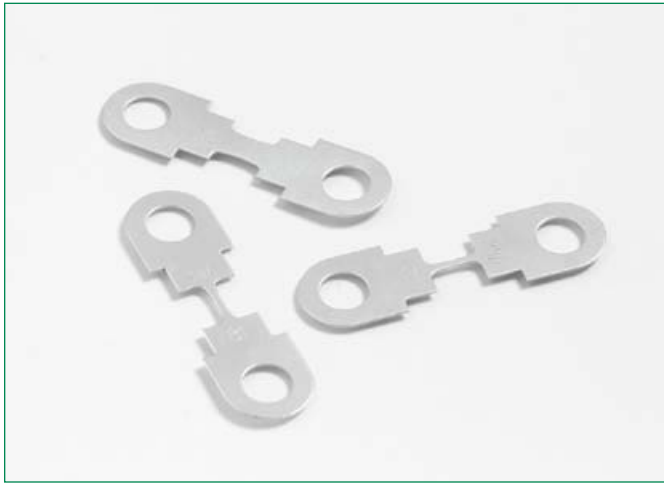


**HSB Fuse Rated 32V**

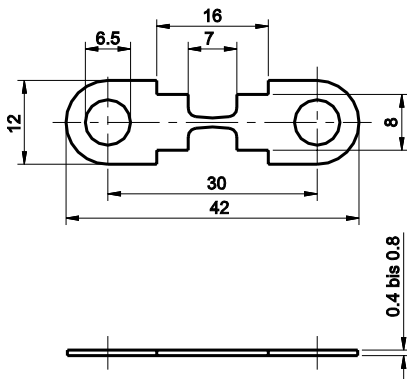
RoHS



Non-housed fuse strips for rated voltage up to 32 VDC. Current rating 30 A -175 A. Ring type lugs.

Sicherungsstreifen ohne Gehäuse für Nennspannungen bis 32 VDC. Nennstrom 30 A bis 175 A. Anschlüsse mit Bohrung.

**Dimensions in mm / Maße in mm**

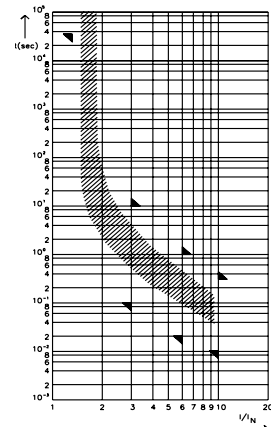


**Specifications**

**Material:** Zinc-alloy  
**Connections:** Zinc-alloy  
 2 x M6 bolts, distance 30 mm  
**Starting torque:** 4 Nm +/- 1 Nm  
**Packaging:**

Series Serien	Pack Size
156.5677.xxx1	100
156.5677.xxx2	10000

**Pre-arcing Time - limits / Schmelzeit-Grenzwerte DIN**



FI = 1.00 (max. operating current:  
 1.0 x I<sub>rat</sub> at 23°C)

**Time-Current Characteristics / Schmelzeit-Grenzwerte**

% of Rating % des Nennstromes	Opening Time Min / Max (s) Schmelzcharakteristik Min / Max (s)
100	∞ / -
125	360,000 s / -
300	0.100 s / 10 s
600	0.020 s / 1 s
1000	0.010 s / 0.300 s

Part Number Artikel-Nr.	Current Rating Nennstrom	Typ. Voltage Drop Typ. Spannungsfall	Cold Resistance Kaltwiderstand	I <sup>2</sup> t
156.5677.530_	30 A	44mV	1.33 mΩ	3800 A <sup>2</sup> s
156.5677.540_	40 A	40mV	0.89 mΩ	11200 A <sup>2</sup> s
156.5677.550_	50 A	44mV	0.72 mΩ	21300 A <sup>2</sup> s
156.5677.560_	60 A	38mV	0.58 mΩ	41400 A <sup>2</sup> s
156.5677.580_	80 A	40mV	0.43 mΩ	44800 A <sup>2</sup> s
156.5677.611_	110 A	40mV	0.31 mΩ	13900 A <sup>2</sup> s
156.5677.615_	150 A	52mV	0.23 mΩ	465000 A <sup>2</sup> s
156.5677.617_	175 A	46mV	0.22 mΩ	560000 A <sup>2</sup> s

Corresponding holder see Section "Fuse Holders."

Bolt-down Fuses