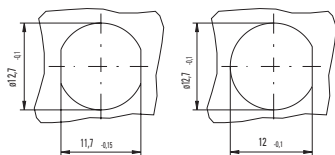
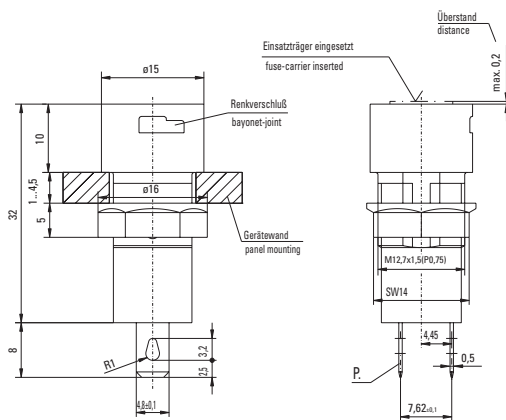


Holder / No. 821



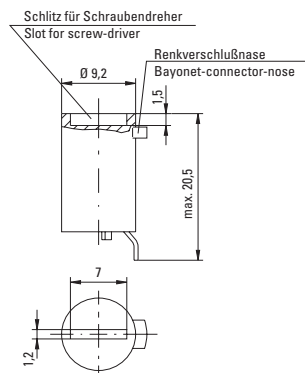
Panel Mount , for 5x20mm Fuses



Cap / No. 835



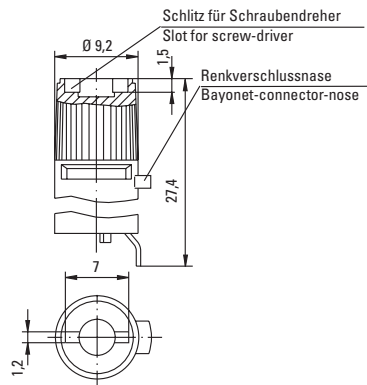
Flush Mount Type



Cap / No. 837



Finger Grip Type



Specifications

Packaging
0 bulk (100 pcs.)

Standard
IEC 60127-6
UL 512
CSA C22.2. No.39

Approvals



Mounting

12.7mm diameter D-hole or double D-hole (panel 1mm - 4.5mm)
Admissible torque on plastic hex nut is 1.2Nm

Terminals

Solderable or 4.8mm quick connect - fits 0.5mm tab

Protection Class & Category

IP 40 (IEC 60529)
PC2 (IEC 60127-6)

Materials

Holder/Cap: Thermoplastic
Polyamide PA 6.6, UL94 V-0, black

Metal Parts: Copper alloy, corrosion protected

Terminals: solderable, tinned

Electrical Data (23°C)

Rated Voltage: 250V
Rated Current: 6.3A (VDE/SEMKO)
16A (UL/CSA)
Rated Power : 4W (SEMKO)
2.5W (VDE)

Operating Temperature

-25°C to +70°C (consider de-rating)

Climatic Test

-25°C/+70°C/21 days (IEC 60068-2-1...3)

Stock Conditions

+10°C to +60°C
relative humidity ≤ 75% yearly average,
without dew, maximum value for 30 days - 95%

Vibration Resistance

24 cycles at 15 min. each (IEC 60068-2-6)
10 - 60Hz at 0.75mm amplitude
60 - 2000Hz at 10g acceleration

Contact Resistance

≤ 5mΩ

Dielectric Strength

> 1.5 kV

Impulse Voltage

4 kV with 1,2µs/50µs

Insulation Resistance

> 10 MΩ (500VDC, 1 min.)

Solderability

235 °C, 2 sec. (soldering bath) (IEC 60068-2-20)
350 °C, 3 sec. (soldering iron) (IEC 60068-2-20)

Soldering Heat Resistance

260°C, 5 sec. (IEC 60068-2-20)

Minimum Cross Section

Conductor - 2.5mm²

Marking

821, 250V, Approvals

Unit Weight

4.0g (821) / 1.6g (835) / 2.2g (837)

Order Info

Qty.	Order Number	Series			Packaging
			0000	00	0

Note: 1.00 means the number one with two decimal places. 1,000 means the number one thousand.



Specifications are subject to change without notice