

LTFD 101 Series Telecommunications Disconnect Switch

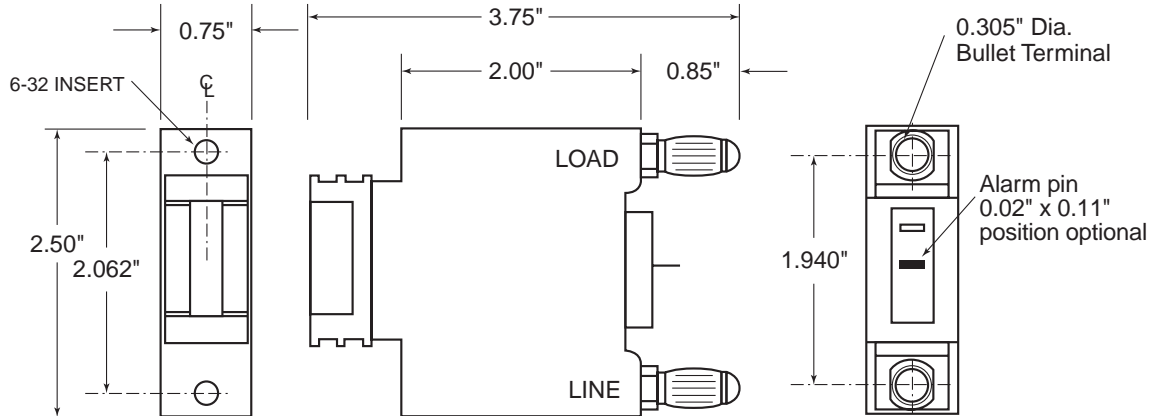
80 VDC • 1 – 125 Amperes



Littelfuse compact LTFD 101 fuseholders for TLS fuses are designed for quick installation into telecom equipment panels. Their modular design fits into spaces originally designed for circuit breakers and they can be front panel mounted or rear mounted using bullet connectors. The innovative new pull-out design eliminates the need for tools to replace fuses and includes an alarm signaling circuit to identify the blown fuse.

Features

- Extremely compact
- Quick mounting
- Replaces circuit breakers
- Includes alarm signaling circuit



Dimensions for reference only. For additional options and dimensions, contact the factory.

Specifications

Voltage Rating: 80 VDC
Ampere Range: 1–125 A
Approvals: UL Recognized (File No. E122874)

Recommended Fuses

Littelfuse TLS Series fuses
 Littelfuse 481 Series Alarm fuses

Ordering Information

Catalog Number	System Number	Terminal Type
LTFD101-1	LTFD0101ZX1	Bullet
LTFD101-2	LTFD0101ZX2	Screw
LTFD101-3	LTFD0101ZX3	Stud
LTFD101-4	LTFD0101ZX4	Clip