

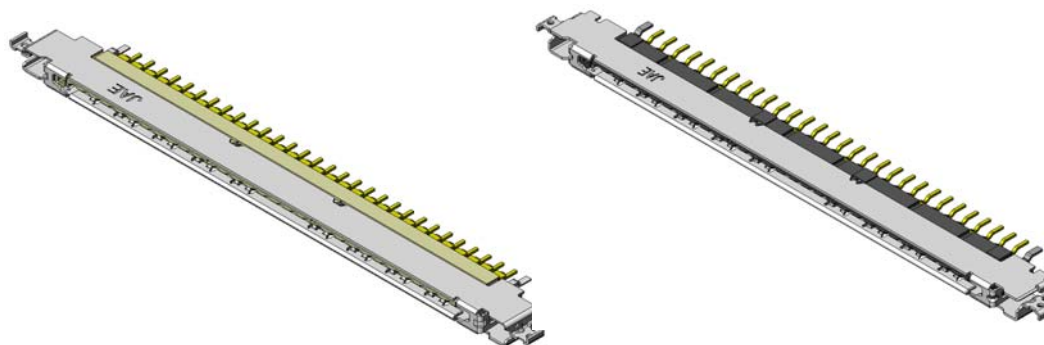
**NEW**



Board to Cable Connector for  
High speed Differential Transmission  
**FI-XP Series (Robust Version of FI-X Series)**

CONNECTOR  
MB-0170-1  
April 2007

**RoHS Compliant**



JAE has additionally developed FI-XP series (FI-X robust version, board side limited), suitable for more compact and lightweight notebook PCs by improving the intensity of FI-X series, which is a SPWG and VESA standard LCD interface connector for notebook PCs.

### Features

- SPWG and VESA standard connector, compatible to LVDS and Display port transmission.
- Compared to existing FI-X series the intensity is mechanically improved by changing the shape of mold and shell, to endure more rough handling such as pulling and lifting of cable (lifting endurance 150% improved compared to our existing product)
- Mating is possible with existing FI-X harness side (compatible with lock)
- Board foot pattern in common with existing FI-X
- Low-profile, connector height: 1.55mm in common with existing FI-X  
Hold-down height :1.0mm or 1.1mm (reverse product), also in common with FI-X
- Solder diffusion countermeasure with Ni barrier layer
- Pb-free product

### General Specifications

- |  |   |
|--|---|
| ■No. of contacts : 30 pos.                                     | ■Rated current: AC, DC each 1A per pos.   |
| ■Contact resistance: 40m ohm max.                              | ■Rated voltage: AC, DC each 200V per pos. |
| ■Dielectric withstanding voltage :<br>AC 500Vr. m.s per minute | ■Insulation resistance: 100M ohm min.     |
| ■Operating temperature:<br>-40 Deg. C to +85 Deg. C            | ■Contact pitch: 1mm                       |

Materials and Finishes
------------------------

Board side connector: FI-XPB30S\*L-HF\*\*

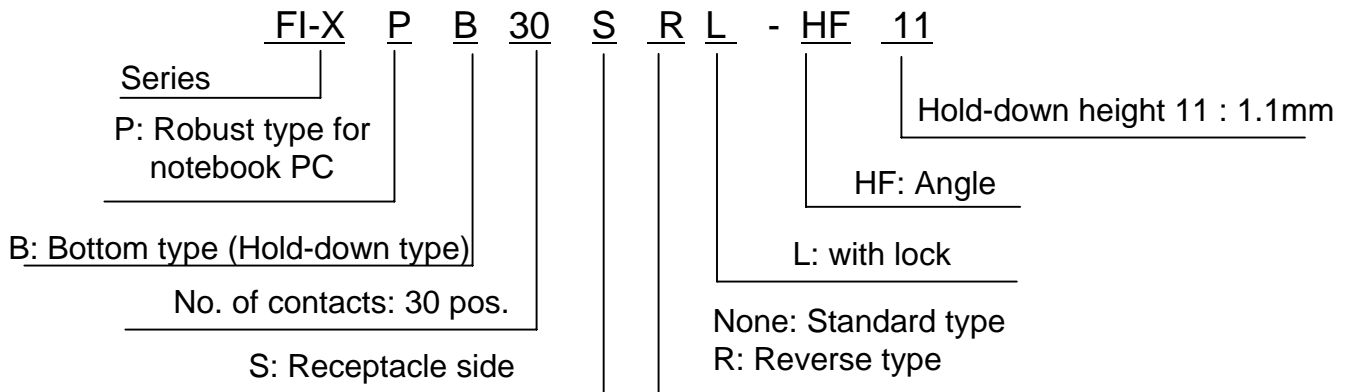
Components	Materials/ Finishes
Contact	Copper alloy / Contact area: Au plating Terminal area: Sn plating
Ground Plate	Copper alloy/ Sn plating
Insulator	Heat resistant plastic/ No
Shell	Stainless steel/ Sn plating



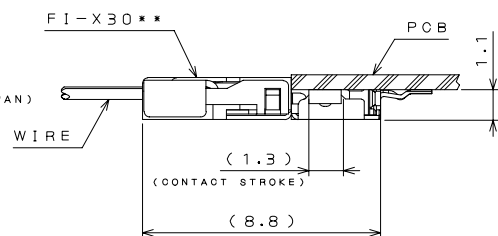
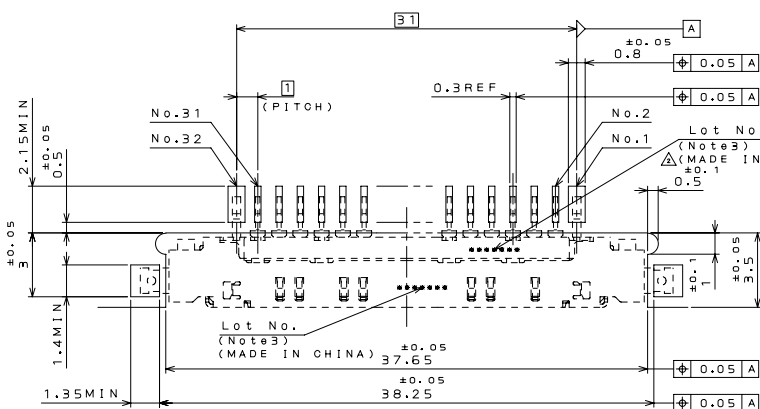
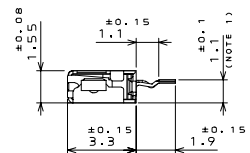
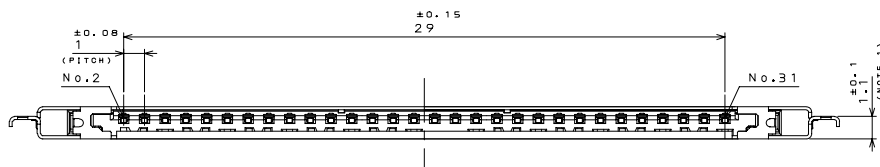
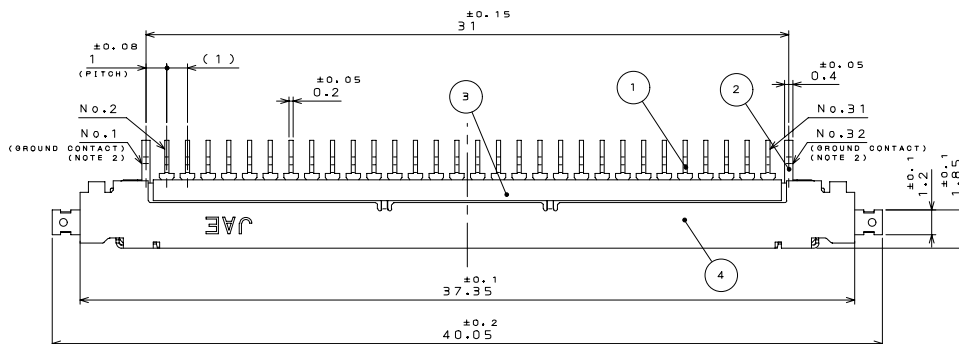


Ordering Information

Board side connector (SJ107143)



Unit: mm



Drawing when mated (for reference)

Recommended dimension of board

Ordering Information

Board side connector Embossed (SJ107144)

FI-XPB 30 SRL - HF11 - R3000

R: Emboss reel: 3000pcs.

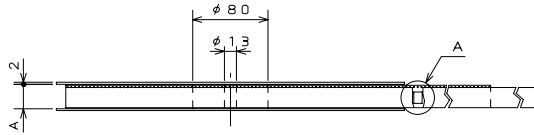
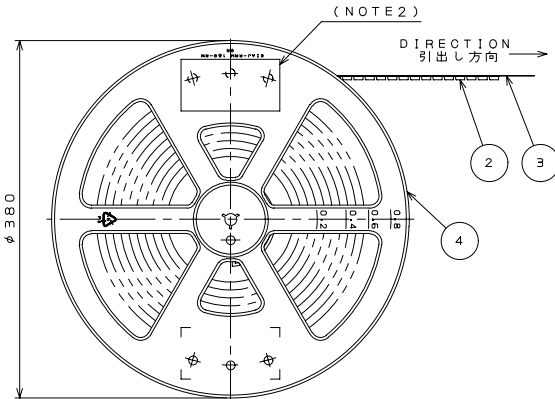


TABLE 1

Unit: mm

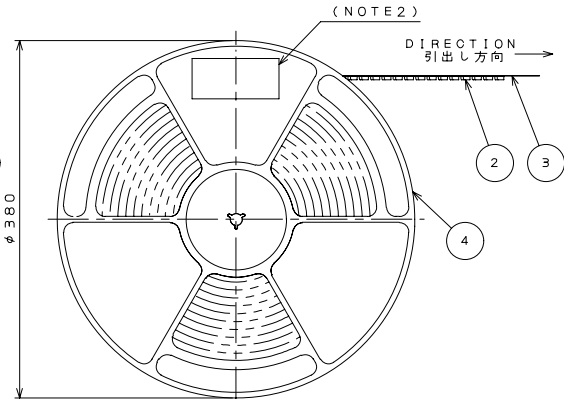
NO. OF CONTACT	A	B	C	D	E
30	58	56	26.2	52.4	38.8



MADE IN JAPAN  
日本製

日本航空電子工業株式会社 MADE IN JAPAN	
品名	FI-XPB**SRL-HF11-R3000
収納数	3000 個入 製造年月日 (Lot No.)
備考	TB**12

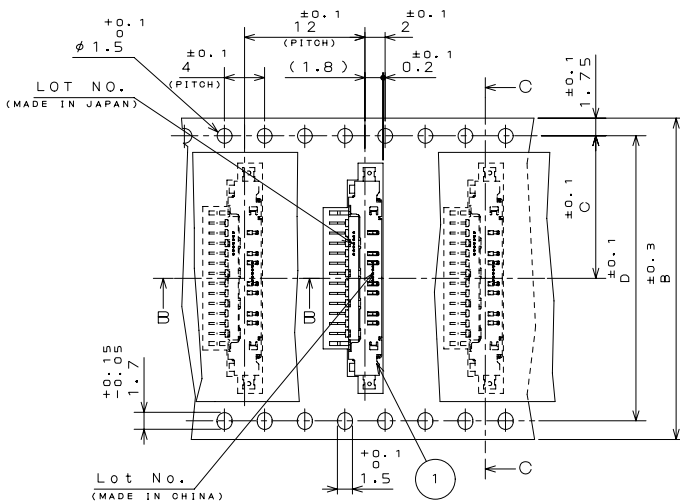
MADE IN JAPAN  
日本製



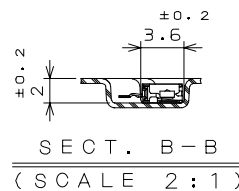
MADE IN CHINA  
中国製

航空電子(無錫)有限公司 MADE IN CHINA	
品名	FI-XPB**SRL-HF11-R3000
収納数	3000 個入 製造年月日 (Lot No.)
備考	TB**12

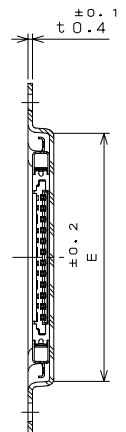
MADE IN CHINA  
中国製



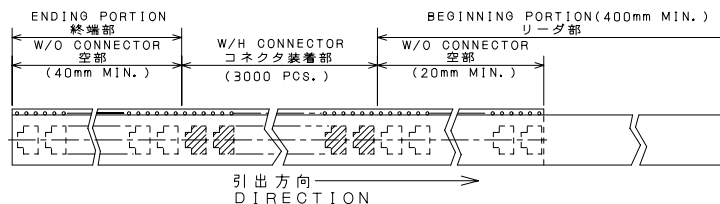
DETAIL A  
(SCALE 2:1)



SECT. B-B  
(SCALE 2:1)



SECT. C-C  
(SCALE 2:1)



Related Information
---------------------

-Specifications(JACS): JACS-10388

-Handling Instructions(JAHL): JAHL-10388

-Caution-

Please contact our sales window if Electrical  
Appliance and Material Safety Law  
on-specification products are desired.

**Japan Aviation Electronics Industry, Limited**

Product Marketing Division

Aobadai Building, 3-1-19, Aobadai, Meguro-ku, Tokyo 153-8539

Phone: +81-3-3780-2787 FAX: +81-3-3780-2946

**Notice:** Products shown in this leaflet are made for the applications listed below. However, if the above-mentioned products are to be used in aerospace devices, marine cable-connection devices, atomic power control systems, medical equipment for life-support systems, or any other specific application requiring extremely high reliability, please contact JAE for further information.

Recommended applications: computers, office machines, measuring devices, telecommunication devices (terminals, mobile devices), AV devices, household applications, FA devices, etc.