

Fig. 1

- The unique compliant tail pins conform to 1,02±0,08 finished hole without stressing inner layers. Patent No. 4,799,904
- Series 800 pin headers are offered in two tail lengths for 1,52 - 2,54 (MM #5601) and 2,29 - 3,3 (MM #5602) thick panels. See page 187 for details.
- Series 801 sockets MM #4614 or #4615 use Hi-Rel, 6-finger BeCu #47 contacts rated at 4.5 amps. Receptacles accept 0,76 diameter pins & 0,64 square pins. See page 221 for details.
- Insulators are high temp. thermoplastic.

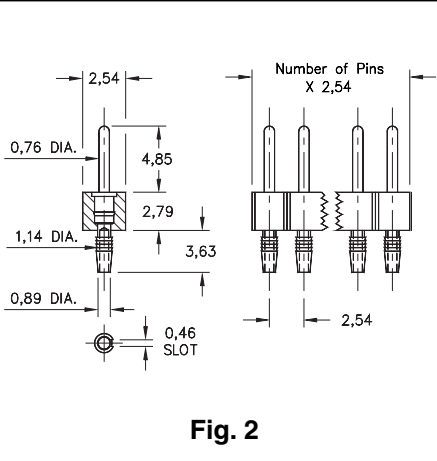
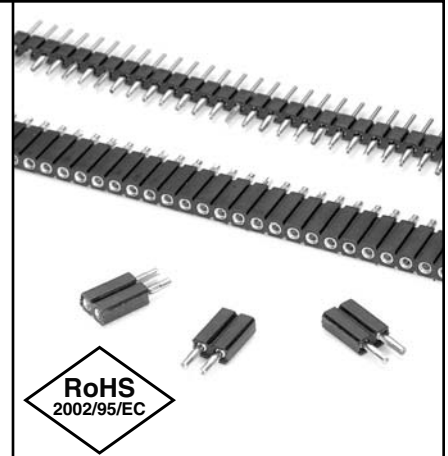


Fig. 2

Ordering Information

Fig. 1

**Compliant Tail Pin Header
for 1,52 - 2,54 thick boards**

800-XX-0 __ -61-001000

Specify # of pins ↪ 01-64

Fig. 2

**Compliant Tail Pin Header
for 2,29 - 3,3 thick boards**

800-XX-0 __ -62-001000

Specify # of pins ↪ 01-64

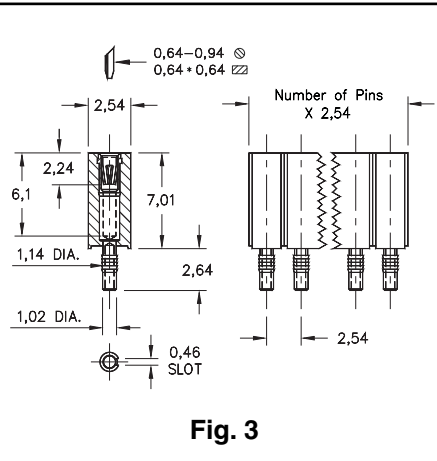


Fig. 3

For Electrical, Mechanical & Environmental Data, See pg. 4

XX=Plating Code See Below

For RoHS compliance select ◇ plating code.

SPECIFY PLATING CODE XX=	10 ◇	90	40 ◇	
Pin Plating	0,25µm Au	5,08µm Sn/Pb	5,08µm Sn	

Fig. 3

**Compliant Tail Socket
for 1,52 - 2,54 thick boards**

801-XX-0 __ -61-001000

Specify # of pins ↪ 01-50

Fig. 4

**Compliant Tail Socket
for 2,29 - 3,3 thick boards**

801-XX-0 __ -62-001000

Specify # of pins ↪ 01-50

For Electrical, Mechanical & Environmental Data, See pg. 4

XX=Plating Code See Below

For RoHS compliance select ◇ plating code.

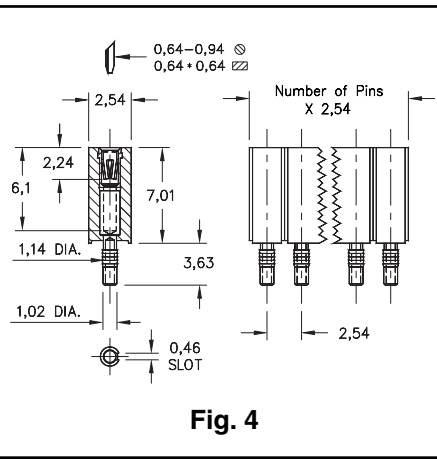


Fig. 4

SPECIFY PLATING CODE XX=		93	99	43 ◇	
Sleeve (Pin)		5,08µm Sn/Pb	5,08µm Sn/Pb	5,08µm Sn	
Contact (Clip)		0,76µm Au	5,08µm Sn/Pb	0,76µm Au	