

Fig. 1

- Elevated socket strips are available in 5 different heights:
 - 316...006 uses pin # 0153-1
 - 316...003 uses pin # 0153-2
 - 316...007 uses pin # 0153-3
 - 316...008 uses pin # 0153-4
 - 316...001 uses pin # 0153-5
 See page 138 for details.
- Hi-Rel, 4-finger BeCu #30 contact is rated at 3 amps. See page 218 for details.
- Insulators are high temp. thermoplastic.

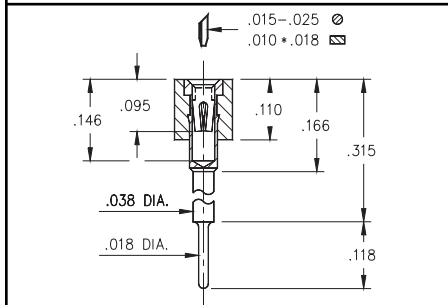
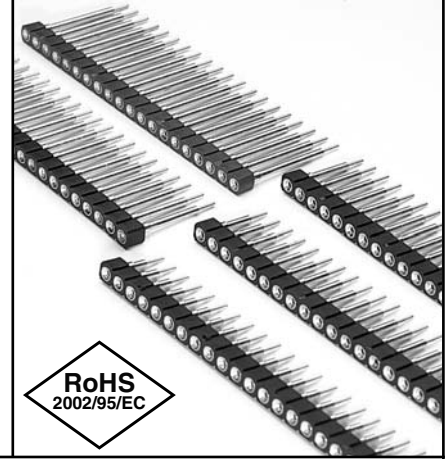


Fig. 2

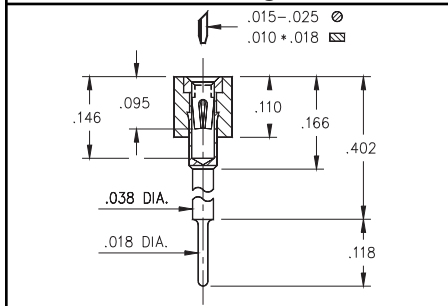


Fig. 3

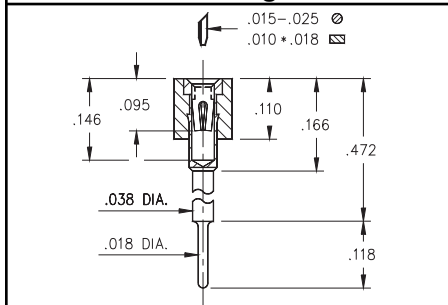


Fig. 4

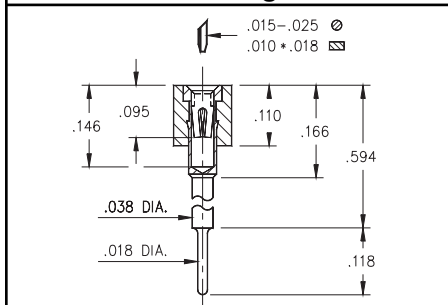


Fig. 5

Ordering Information

Fig. 1	Series 316...006 Standoff Height = .236
	316-XX-1__-41-006000 Specify # of pins → 01-64
Fig. 2	Series 316...003 Standoff Height = .315
	316-XX-1__-41-003000 Specify # of pins → 01-64
Fig. 3	Series 316...007 Standoff Height = .402
	316-XX-1__-41-007000 Specify # of pins → 01-64
Fig. 4	Series 316...008 Standoff Height = .472
	316-XX-1__-41-008000 Specify # of pins → 01-64
Fig. 5	Series 316...001 Standoff Height = .594
	316-XX-1__-41-001000 Specify # of pins → 01-64

For Electrical, Mechanical & Environmental Data, See pg. 4

XX=Plating Code See Below

For RoHS compliance select ◇ plating code.

SPECIFY PLATING CODE XX=		93		43◇
Sleeve (Pin)		200µ" Sn/Pb		200µ" Sn
Contact (Clip)		30µ" Au		30µ" Au