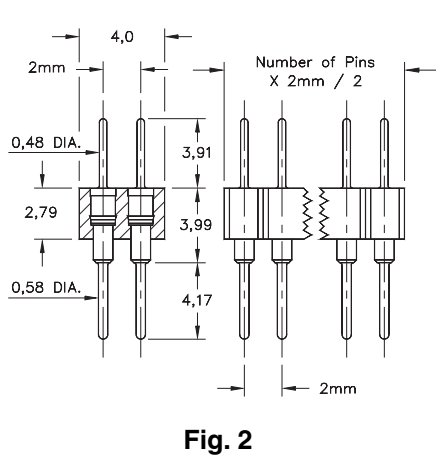


**Fig. 1**

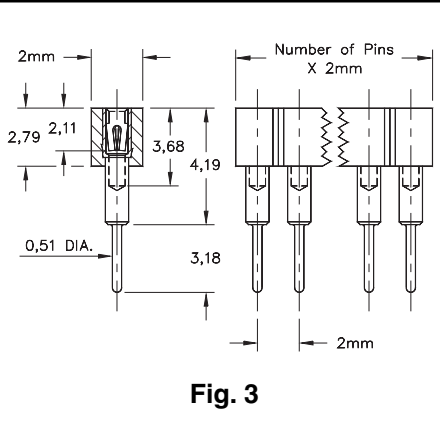
- Series 830 single and double row interconnects have 2mm pin spacing and permit board stacking as low as 8,18.
- Pin headers (830 & 832 series) use MM #5012 pins. See page 175 for details.
- Sockets (831 & 833 series) use MM #1802 receptacles and accept pin diameters from 0,38 - 0,64. See page 140 for details.
- Insulators are high temp. thermoplastic, suitable for all soldering operations.



**Fig. 2**

**Ordering Information**

<b>Fig. 1</b>	<b>Single Row Pin Header</b>	
	830-XX-0__-10-001000	Specify # of pins → 01-50
<b>Fig. 2</b>	<b>Double Row Pin Header</b>	
	832-XX-__-10-001000	Specify # of pins → 002-100

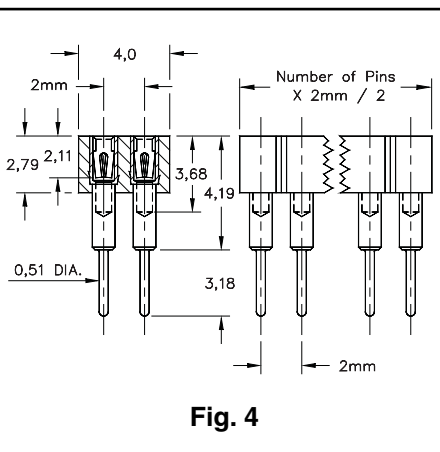


**Fig. 3**

*For Electrical, Mechanical & Environmental Data, See pg. 4*     
 *XX=Plating Code See Below*     
 *For RoHS compliance select ◇ plating code.*

SPECIFY PLATING CODE XX=	10◇	90	40◇	
Pin Plating	0,25µm Au	5,08µm Sn/Pb	5,08µm Sn	

<b>Fig. 3</b>	<b>Single Row Socket</b>	
	831-XX-0__-10-001000	Specify # of pins → 01-50
<b>Fig. 4</b>	<b>Double Row Socket</b>	
	833-XX-__-10-001000	Specify # of pins → 002-100



**Fig. 4**

*For Electrical, Mechanical & Environmental Data, See pg. 4*     
 *XX=Plating Code See Below*     
 *For RoHS compliance select ◇ plating code.*

SPECIFY PLATING CODE XX=		93		43◇
Sleeve (Pin)		5,08µm Sn/Pb		5,08µm Sn
Contact (Clip)		0,76µm Au		0,76µm Au