

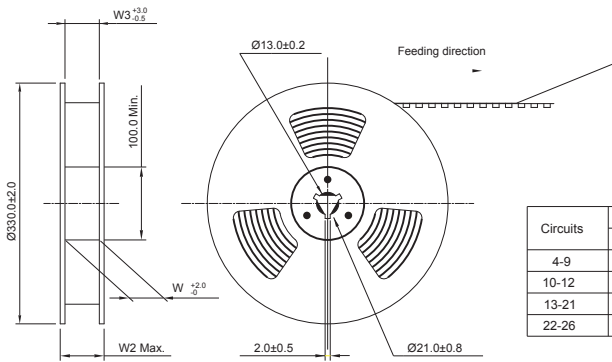
1	2	3	4	5	
				<p>MATERIAL: HOUSING MATERIAL: PA6T FLAMABILITY RATING: UL94-V0 COLOR: RED CONTACT MATERIAL: PHOSPHOR BRONZE CONTACT TYPE: STAMPED CONTACT PLATING: MATT TIN OVER NICKEL QUALITY CLASS: 25 MATING CYCLES PITCH: 2.54 MM PER ROW</p> <p>ENVIRONMENTAL: OPERATING TEMPERATURE: -40°C UP TO 105°C COMPLIANCE: LEAD FREE AND ROHS</p> <p>ELECTRICAL: CURRENT RATING: 1.5A PER PIN (PCB PIN) WORKING VOLTAGE: 100VAC INSULATION RESISTANCE: &gt;1000MOHM DIELECTRIC WITHSTANDING VOLT.: 500VAC/MN CONTACT RESISTANCE: 10mOHM MAX</p> <p>STANDARD IA CERTIFIED: E323964 / MOD. NUMBER 69036728xx7x</p> <p>SOLDERING: REFLOW PROCESS ONLY</p> <p>DIMENSION: DIM.A= 1.27 x (Nb PIN -1) DIM.B= DIM.A + 3.27 DIM.C= DIM.A + 1.80</p> <p>AVAILABLE xx : 4 TO 26 CIRCUITS</p> <p>PACKAGING: TAPE &amp; REEL</p>	
RoHS Compliant					
G		GENERAL TOLERANCE			<p>DESCRIPTION: MM FEMALE SMT CONNECTOR WITH POLARIZATION</p>
F		<p>.X = +/-.0.2 .XX = +/-.0.15</p>		<p>SIZE <b>A4</b></p>	
E	07-APR-10	PINNING	JP		<p>UNIT: MM</p>
D	09-MAR-10	STANDARD	JP	<p>SCALE:</p>	
C	17-NOV-09	DIMENSION	JP		<p>SHEET: 1/2</p>
B	27-NOV-07	MODIFICATIONS	EC	<p>WERI PART NO: 690 367 28 xx 76</p>	
A	03-NOV-06	PDF	JP		
REV	DATE	FILE	BY	<p>APPROVAL: RJ</p> <p>DRAW: EAGER</p>	

A

B

C

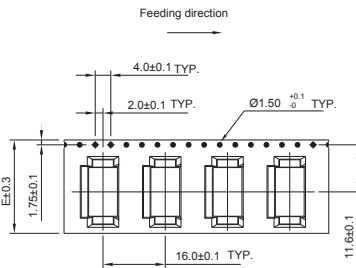
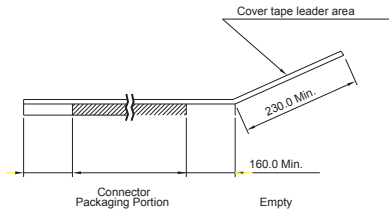
D



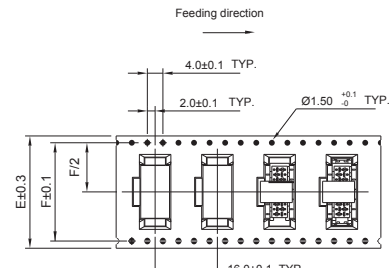
**NOTE :**

- \* Reel Material : HIPS
- \* Carrier Material : Transparent Anti-static Polysyrene.
- \* Cover Tape Material : Polyester
- \* Cover Tape Peel Strength : 0.1N - 1.3N
- \* Carrier camber is within 1mm in 250mm
- \* All dimensions meet EIA-481-2 requirements.
- \* Quantity : 600 PCS/Reel ; except 10pins 800PCS/Reel

Circuits	Dimension					Packing (Reel/Caton)
	E	F	W1	W2	W3	
4-9	24.0(1.945)	-	24.5(965)	30.5(1.200)	24.5(965)	8
10-12	32.0(1.260)	28.40(1.118)	32.5(1.280)	38.5(1.516)	32.5(1.280)	6
13-21	44.0(1.732)	40.40(1.596)	44.5(1.752)	50.5(1.988)	44.5(1.752)	5
22-26	56.0(2.205)	52.40(2.063)	56.5(2.224)	62.5(2.460)	56.5(2.224)	4



WIDTH : 24 mm Carrier



WIDTH : 32,44,56 mm Carrier

RoHS Compliant				PROJECTION: 	GENERAL TOLERANCE .X = + <sub>-</sub> 0.2 .XX = + <sub>-</sub> 0.15		DESCRIPTION: MM FEMALE SMT CONNECTOR WITH POLARIZATION WERI PART NO: 690 367 28 xx 76	SIZE <b>A4</b>
G								
F								
E								
D								
C				APPROVAL: RJ	UNIT: MM			
B					SCALE:			
A					SHEET: 2/2			
REV	DATE	FILE	BY		DRAW: EAGER			