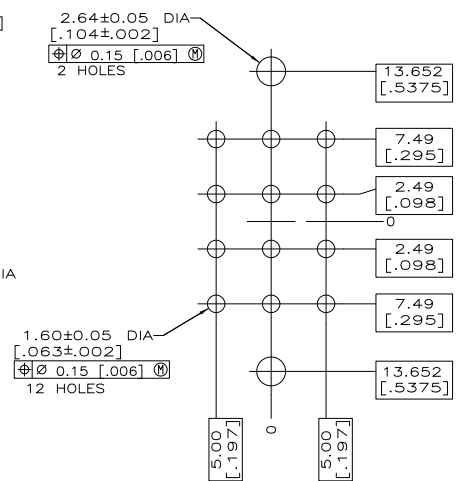
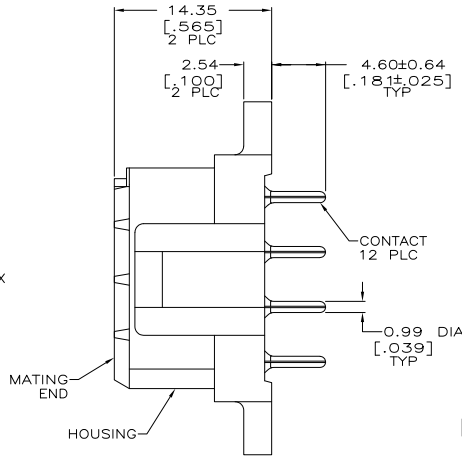
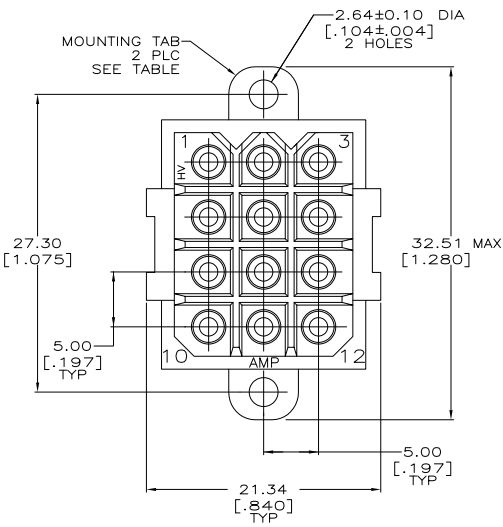


THIS DRAWING IS UNPUBLISHED. RELEASED FOR PUBLICATION. ALL RIGHTS RESERVED.

LOC	DIST	REVISIONS				
FT	0	P	LR	DATE	MIN	APD
		L1	REVISED PER ECO-11-004917	11MAR11	RK	HMR



RECOMMENDED LAYOUT

- ▲ NYLON, UL 94-VO RATED, RED.
- ▲ PHOSPHOR BRONZE.
- ▲ 3.81um [.000150] MIN TIN-LEAD OVER 1.27um [.000050] MIN NICKEL.
- ▲ 0.76um [.000030] MIN GOLD FOR A LENGTH OF 4.95 [.195] MIN FROM MATING END, 3.81um [.000150] MIN TIN-LEAD FOR A LENGTH OF 4.88 [.192] MIN ON OPPOSITE END, BOTH OVER 1.27um [.000050] MIN NICKEL.
- ▲ .000150 MIN TIN OVER .000050 MIN NICKEL.
- ▲ 0.76um [.000030] MIN GOLD FOR A LENGTH OF 4.95 [.195] MIN FROM MATING END, 3.81um [.000150] MIN TIN FOR A LENGTH OF 4.88 [.192] MIN ON OPPOSITE END, BOTH OVER 1.27um [.000050] MIN NICKEL.

CONTACT FINISH	MOUNTING TABS	PART NO
▲	NO	1-207528-0
▲	YES	207528-9
▲	NO	207528-8
▲	YES	207528-7
▲	NO	207528-4
▲	YES	207528-3
▲	NO	207528-2
▲	YES	207528-1

THIS DRAWING IS A CONTROLLED DOCUMENT. DIM: 03/19/92

DIMENSIONS: INCHES	DESIGNED BY: L. SHIP	DATE: 03/19/92
	CHK: G. STONE	DATE: 3-25-92
	APP: A. TRAVIS	DATE: 3-25-92
	PRODUCT SPEC: 108-10033	
	APPLICATION SPEC: -	
	REVISION: -	
MATERIAL: HOUSING: 1	CONTACT: SEE TABLE	SIZE: A2
		CAGE CODE: 00779
		DRAWING NO: 207528
		SCALE: 4:1
		SHEET: 1 of 1
		REV: L1

TE Connectivity
SOCKET HEADER ASSEMBLY, 12 POSITION, METRIMATE