

4

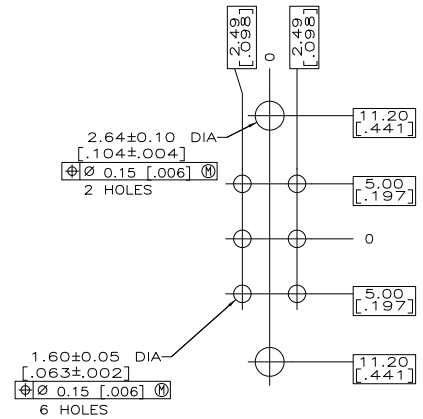
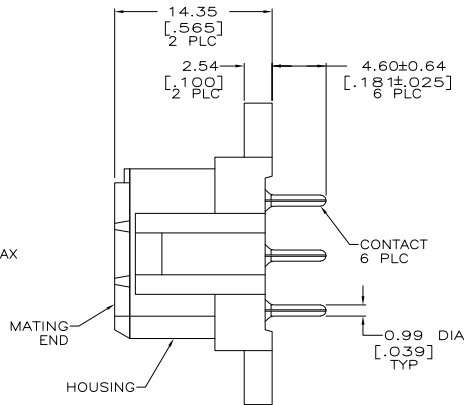
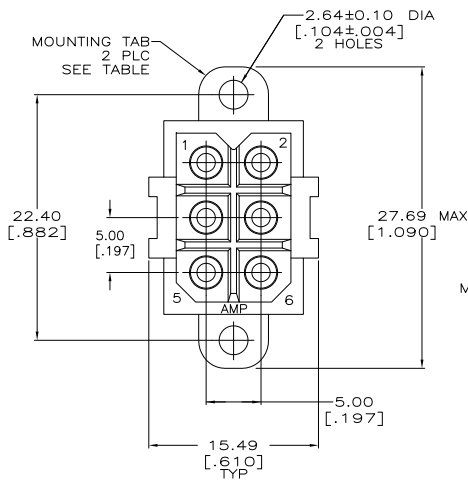
3

2

1

THIS DRAWING IS UNPUBLISHED. RELEASED FOR PUBLICATION. ALL RIGHTS RESERVED.

LOC		DIST		REVISIONS			
FT	0	F	LNK	DESCRIPTION	DATE	BY	APPD
		P2		REVISED PER ECO-11-004917	11MAR11	RK	HMR



RECOMMENDED LAYOUT

- ▲ NYLON, UL 94-V0 RATED, RED.
- ▲ PHOSPHOR BRONZE.
- ▲ 3.81um [.000150] MIN TIN-LEAD OVER 1.27um [.000050] MIN NICKEL.
- ▲ 0.76um [.000030] MIN GOLD FOR A LENGTH OF 4.95 [.195] MIN FROM MATING END, 3.81um [.000150] MIN TIN-LEAD FOR A LENGTH OF 4.88 [.192] MIN ON OPPOSITE END, BOTH OVER 1.27um [.000050] MIN NICKEL.
- ▲ 3.81um [.000150] MIN TIN OVER 1.27um [.000050] MIN NICKEL.
- ▲ 0.76um [.000030] MIN GOLD FOR A LENGTH OF 4.95 [.195] MIN FROM MATING END, 3.81um [.000150] MIN TIN FOR A LENGTH OF 4.88 [.192] MIN ON OPPOSITE END, BOTH OVER 1.27um [.000050] MIN NICKEL.
- ▲ OBSOLETE PARTS: OBSOLETE CIS STREAMLINING PER D.RENAUD/D.SINISI

▲	NO	1-207524-0
▲	YES	207524-9
▲	NO	207524-8
▲	YES	207524-7
▲	NO	207524-4
▲	YES	207524-3
▲	NO	207524-2
▲	YES	207524-1

CONTACT FINISH	MOUNTING TABS	PART NO

THIS DRAWING IS A CONTROLLED DOCUMENT. DIM 03/20/92

L. SHIP 3-25-92

C. STONE 3-25-92

R. STONE 3-25-92

A. TRAVIS 3-25-92

TE Connectivity

SOCKET HEADER ASSEMBLY,
6 POSITION, METRIMATE

108-10033

APPLICATION SPEC: 108-10033

SIZE: A2 CASE CODE: C=207524

RESTRICTED TO: P2

CUSTOMER DRAWING

SCALE: 4:1 SHEET: 1 of 1