

4

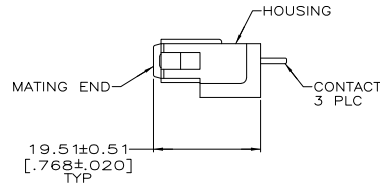
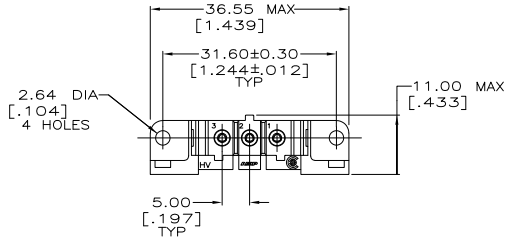
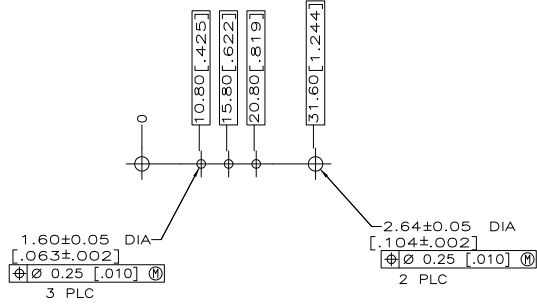
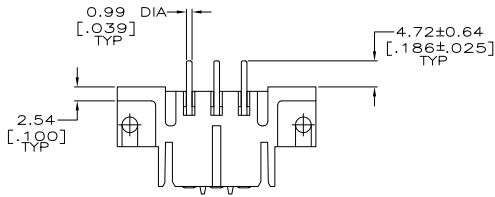
3

2

1

THIS DRAWING IS UNPUBLISHED. RELEASED FOR PUBLICATION. ALL RIGHTS RESERVED.

LOC	DIST	REVISIONS		
P	LTR	DESCRIPTION	DATE	BY
J1		REVISED PER ECO-11-005027	11MAR11	RK HMR



- ▲ NYLON, RED.
- ▲ PHOSPHOR BRONZE.
- ▲ 3.81um [.000150] MIN TIN-LEAD OVER 1.27um [.000050] MIN NICKEL.
- ▲ 0.76um [.000030] MIN GOLD FOR A LENGTH OF 5.08 [.200] MIN FROM MATING END, 3.81um [.000150] MIN TIN-LEAD FOR A LENGTH OF 5.36 [.211] MIN FROM OPPOSITE END, BOTH OVER 1.27um [.000050] MIN NICKEL.
- ▲ 3.81um [.000150] MIN TIN OVER 1.27um [.000050] MIN NICKEL.
- ▲ 0.76um [.000030] MIN GOLD FOR A LENGTH OF 5.08 [.200] MIN FROM MATING END, 3.81um [.000150] MIN TIN FOR A LENGTH OF 5.36 [.211] MIN FROM OPPOSITE END, BOTH OVER 1.27um [.000050] MIN NICKEL.

▲	207609-7
▲	207609-6
▲	207609-3
▲	207609-1
CONTACT FINISH	PART NO

DIMENSIONS:		DATE	BY
INCHES		08/07/92	L. SIFF
MILLIMETERS		8-25-92	G. STONE
OTHER DIMENSIONS		8-25-92	A. TRAVIS
FINISH			
APPLICATION SPEC			
MATERIAL		SIZE	CAGE CODE
HOUSING: 1		A2	00779
CONTACTS: SEE TBL.		DRAWING NO	
		C-207609	
		RESTRICTED TO	
		CUSTOMER DRAWING	
		SCALE	2:1
		SHEET	1 of 1
		REV	J1

1471-9 (3/11)

207609

B

A