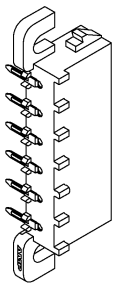
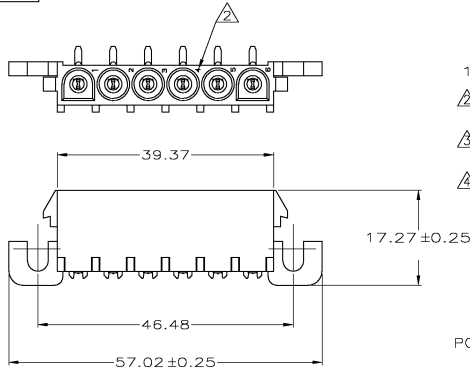


THIS DRAWING IS UNPUBLISHED. RELEASED FOR PUBLICATION
 © COPYRIGHT BY TYCO ELECTRONICS CORPORATION. ALL RIGHTS RESERVED.

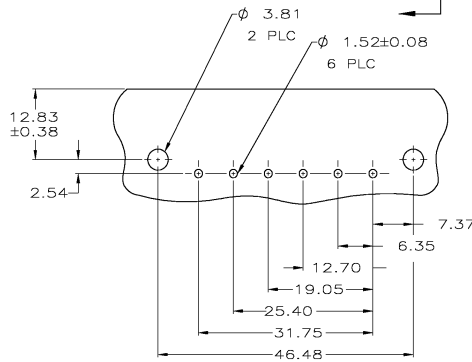
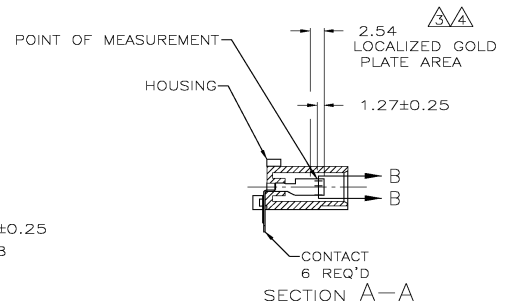
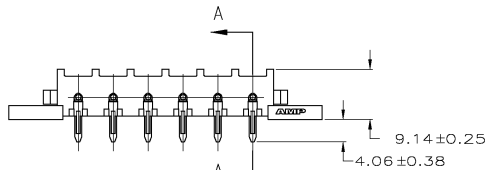
LOC		DIST		REVISIONS			
P	LTR	DESCRIPTION	DATE	OWN	APP'D		
D		REVISED PER EC 0638-1094-04	21APR05	KW	SR		



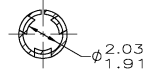
3-DIMENSIONAL MODEL
NTS



- PARTS COMPLY WITH AMP SOLDERABILITY SPECIFICATION 109-11-5.
- CIRCUIT IDENTIFICATION CHARACTERS ARE ADJACENT TO THE INDICATED CAVITIES, BUT LOCATION AND ORIENTATION MAY DIFFER FROM PRINT.
- 0.00076 GOLD OVER 0.00127 MIN NICKEL WITH MATTE TIN LEAD ON SOLDER TAIL.
- 0.00076 GOLD OVER 0.00127 MIN NICKEL WITH MATTE TIN ON SOLDER TAIL.



RECOMMENDED MOUNTING HOLE PATTERN
FOR 1.57 THICK P.C. BOARD



SECTION B-B
SCALE 6:1

3.81	.150	57.02	2.245
2.54	.100	46.48	1.830
2.03	.080	39.37	1.550
1.91	.075	31.75	1.250
1.57	.062	25.40	1.000
1.52	.060	19.05	.750
1.27	.050	17.27	.680
0.38	.015	12.83	.505
0.25	.010	12.70	.500
0.13	.005	9.14	.360
0.08	.003	7.37	.290
0.00127	0.00050	6.35	.250
0.00076	0.00030	4.06	.160
MM	IN	MM	IN

CONVERSION TABLE

METRIC

PH BRZ GOLD	NYLON, UL94V-0	3-643234-0
PH BRZ GOLD	NYLON, UL94V-0	643234-2
PH BRZ TIN	NYLON, UL94V-0	643234-1
CONTACT	HOUSING	PART NO
tyco Electronics Tyco Electronics Corporation Horriburg, Pa 17105-3508		
SOCKET HEADER ASSEMBLY, RIGHT ANGLE MOUNT, 5 POSITION, UNIVERSAL MATE-N-LOK(TM)		
SEE	CAGE CODE	RESTRICTED TO
A2	00779	643234
CUSTOMER DRAWING	SCALE	SHEET
	2:1	1 OF 1