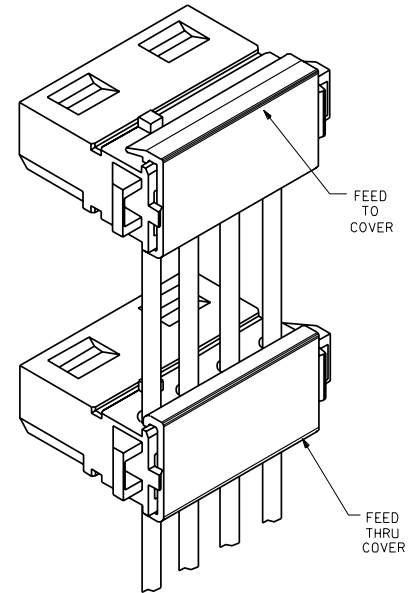


.0805±.0010
(2.045±0.025)
DIA.
(TERMINAL BARREL)

NOTES:

1. ALL WIRES TO HAVE A MAX. DIAMETER OVER INSULATION OF .095/(2.41).
2. COVERS ARE SUGGESTED TO RETAIN WIRES. FEED TO DRAWING NO. SD-70156-4000. FEED THRU DRAWING NO. SD-70156-3000. SEE SHEET 2 FOR AVAILABLE KITS.
3. MATERIAL: HOUSING-NYLON, TYPE 6/6, 94V-2, COLOR: NATURAL
HOUSING-POLYESTER, 94V-0
COLOR: WHITE
TERMINAL-PHOSPHOR BRONZE
4. .008/(0.20) MAX. VERTICAL PROJECTION DUE TO CARRIER CUT-OFF.
5. PS-70156-***** APPLIES.
6. SDES-70156 APPLIES.
7. PK-70873-0250 APPLIES.



REV.	REVISIONS
E	TRANSFER TO INDIA ECN U01 999-0929 SCHAFFER 99/04/20
D2	ADDED PART NO. PER ECN U6-0935 02/08/96 DRS
D1	ADDED PART NO. PER ECN U5-0148 09/01/94 DRS
D	MODIFIED PER ECN U2-1589 10-28-92 DRS
C1	ADDED NOTE *7 PER ECN U2-1007 07-06-92 DRS
C	MOD. WIRE SELECTION PER ECN U2-0873 06-08-92 DRS
B	MOD. WIRE SELECTION PER ECN U2-0716 05-07-92 DRS
A	X-RELEASE PER ECN U2-0581 04-15-92 DRS

DIMENSIONS SHOWN IN METRIC INCH		REVISIONS													
UNLESS OTHERWISE SPECIFIED TOLERANCES ANGULAR ± 1/2°		MFG. SH. REV. LTR.													
<table border="1"> <thead> <tr> <th>INCH</th> <th>METRIC</th> </tr> </thead> <tbody> <tr> <td>3 PLACE</td> <td>----</td> </tr> <tr> <td>2 PLACE</td> <td>----</td> </tr> <tr> <td>1 PLACE</td> <td>----</td> </tr> </tbody> </table>		INCH	METRIC	3 PLACE	----	2 PLACE	----	1 PLACE	----	<table border="1"> <thead> <tr> <th>REV.</th> <th>REVISIONS</th> </tr> </thead> <tbody> <tr> <td>1</td> <td>06/30/89</td> </tr> </tbody> </table>		REV.	REVISIONS	1	06/30/89
INCH	METRIC														
3 PLACE	----														
2 PLACE	----														
1 PLACE	----														
REV.	REVISIONS														
1	06/30/89														
DRAFT WHERE APPLICABLE MUST REMAIN WITHIN DIMENSIONS		<table border="1"> <tr> <td>MOLEX INCORPORATED</td> <td>SHEET NO. 1 OF 2</td> <td>DATE 06/30/89</td> </tr> <tr> <td>SEE CHART</td> <td>FILE NAME S7015601</td> <td>DRWG. NO. SDA-70156-****</td> </tr> </table>		MOLEX INCORPORATED	SHEET NO. 1 OF 2	DATE 06/30/89	SEE CHART	FILE NAME S7015601	DRWG. NO. SDA-70156-****						
MOLEX INCORPORATED	SHEET NO. 1 OF 2	DATE 06/30/89													
SEE CHART	FILE NAME S7015601	DRWG. NO. SDA-70156-****													
<table border="1"> <tr> <td>DRG. BY: SCHMIDGALLER</td> <td>CHKD BY: BIXLER</td> </tr> <tr> <td>APP'D BY: BIXLER</td> <td>SCALE 4 : 1</td> </tr> </table>		DRG. BY: SCHMIDGALLER	CHKD BY: BIXLER	APP'D BY: BIXLER	SCALE 4 : 1	<table border="1"> <tr> <td colspan="2">SALES ASSEMBLY</td> </tr> <tr> <td colspan="2">4 CKT. POWER CONNECTOR</td> </tr> <tr> <td colspan="2">THIS DRAWING CONTAINS INFORMATION THAT IS PROPRIETARY TO MOLEX INC. AND SHOULD NOT BE USED WITHOUT WRITTEN PERMISSION.</td> </tr> </table>		SALES ASSEMBLY		4 CKT. POWER CONNECTOR		THIS DRAWING CONTAINS INFORMATION THAT IS PROPRIETARY TO MOLEX INC. AND SHOULD NOT BE USED WITHOUT WRITTEN PERMISSION.			
DRG. BY: SCHMIDGALLER	CHKD BY: BIXLER														
APP'D BY: BIXLER	SCALE 4 : 1														
SALES ASSEMBLY															
4 CKT. POWER CONNECTOR															
THIS DRAWING CONTAINS INFORMATION THAT IS PROPRIETARY TO MOLEX INC. AND SHOULD NOT BE USED WITHOUT WRITTEN PERMISSION.															

