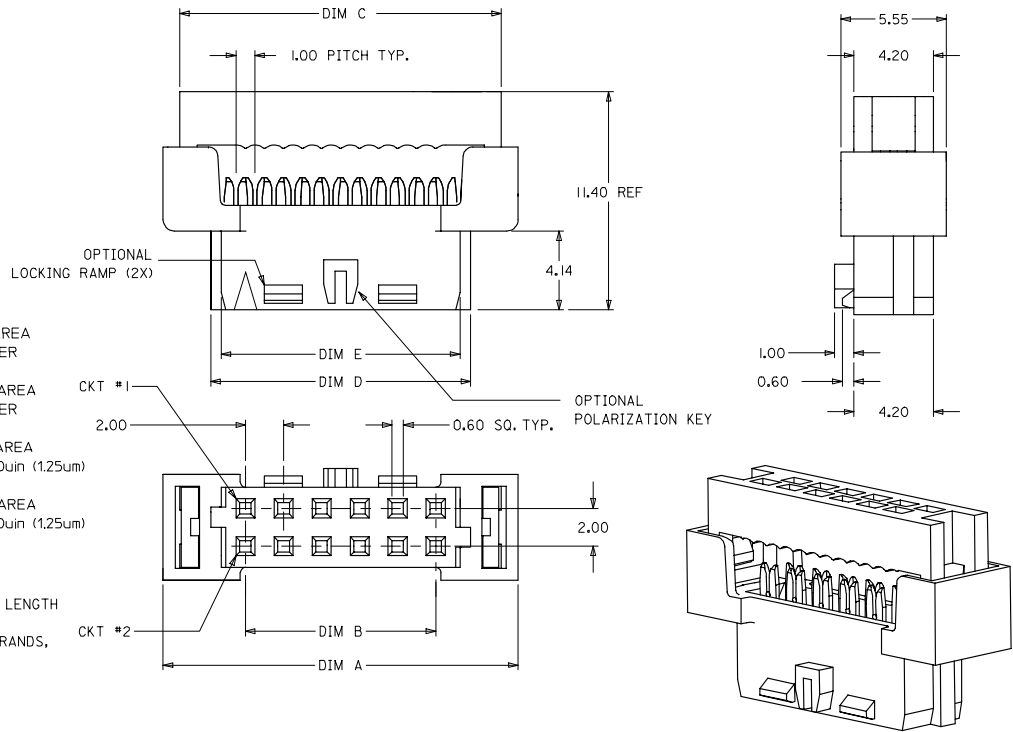


10 9 8 7 6 5 4 3 2 1

1. MATERIALS:
 HOUSING - PBT, GLASS FILLED UL94V-0 BLACK
 TERMINAL - COPPER ALLOY
2. FINISHES
- PLATING 1 - 15uin (0.38um) SELECTIVE GOLD IN CONTACT AREA AND 75uin (1.88um) TIN/LEAD IN IDT AREA OVER 50uin (1.25um) NICKEL OVERALL.
- PLATING 2 - 30uin (0.76um) SELECTIVE GOLD IN CONTACT AREA AND 75uin (1.88um) TIN/LEAD IN IDT AREA OVER 50uin (1.25um) NICKEL OVERALL.
- PLATING 3 - 15uin (0.38um) SELECTIVE GOLD IN CONTACT AREA AND 75uin (1.88um) TIN IN IDT AREA OVER 50uin (1.25um) NICKEL OVERALL.
- PLATING 4 - 30uin (0.76um) SELECTIVE GOLD IN CONTACT AREA AND 75uin (1.88um) TIN IN IDT AREA OVER 50uin (1.25um) NICKEL OVERALL.
3. PRODUCT SPEC PS-87568-004 APPLIES
4. FOR ILLUSTRATION PURPOSES, I2 CKT IS SHOWN
5. PART MATES WITH ALL MILLIGRID HEADERS WITH MATING LENGTH BETWEEN 2.50mm AND 4.20mm
6. PART IS DESIGNED FOR 1.00mm PITCH FLAT CABLE, 7 STRANDS, AWG #28, UL2651 AND UL2678
7. ALL OTHER CIRCUIT SIZES, CONTACT FACTORY.
8. STRAIN RELIEF TO BE PURCHASED SEPARATELY, REFER TO SD-87569-008

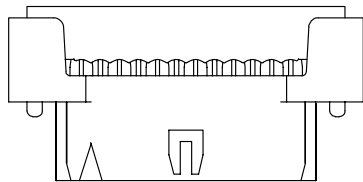


PDR No.: S-001141-00-00 EC NO.: S2006-0680 DRAWN BY: 01/40 CHECKED BY: 01/05 APPROVED BY: 01/06 G2	QUALITY SYMBOLS ▽=0 ▽=0	GENERAL TOLERANCES (UNLESS SPECIFIED)		DIMENSION STYLE MM ONLY		SCALE NTS	DESIGN UNITS METRIC	THIRD ANGLE PROJECTION			
		4 PLACES ± --- ± ---	3 PLACES ± --- ± ---	2 PLACES ± 0.15 ± ---	1 PLACE ± --- ± ---	ANGULAR ± 3 °	DRAWN BY AGARWAL	DATE 1997/08/05	TITLE MGRID, 2MM DUAL ROW IDT RECEPTACLE		
							CHECKED BY SQUEK	DATE 1997/09/03	MOLEX INCORPORATED		
							APPROVED BY JAMES	DATE 1997/09/03			
DRAFT WHERE APPLICABLE MUST REMAIN WITHIN DIMENSIONS		SEE TABLE		MATERIAL NO. SD-87568-003		DOCUMENT NO. SD-87568-003		SHEET NO. 1 OF 3			
THIS DRAWING CONTAINS INFORMATION THAT IS PROPRIETARY TO MOLEX INCORPORATED AND SHOULD NOT BE USED WITHOUT WRITTEN PERMISSION											

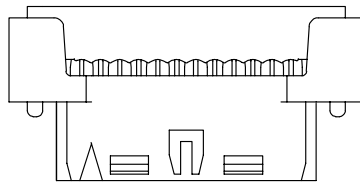
ib_frame_A3_P_ME_1
 Rev. D 2004/04/02

9 8 7 6 5 4 3 2 1

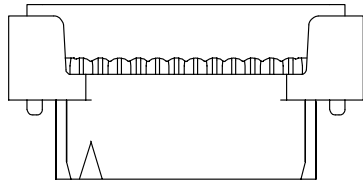
10 9 8 7 6 5 4 3 2 1



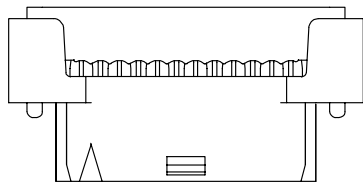
87568-***4*
POLARIZATION ONLY
(APPLICABLE FOR 14 TO 50 CKT)



87568-***9*
POLARIZATION AND RAMP LOCKING
(APPLICABLE FOR 14 TO 50 CKT)



87568-***6*
NO POLARIZATION/RAMP FEATURE
(APPLICABLE FOR 10 TO 50 CKT)



87568-***7*
SINGLE RAMP LOCKING ONLY
(APPLICABLE FOR 10 TO 12 CKT)

ENGINEERING NUMBER	CKT. SIZE	A	B	C	D	E
87568-10**	10	16.65	8.00	14.90	11.65	10.55
87568-12**	12	18.65	10.00	16.90	13.65	12.55
87568-14**	14	20.65	12.00	18.90	15.65	14.55
87568-16**	16	22.65	14.00	20.90	17.65	16.55
87568-20**	20	26.65	18.00	24.90	21.65	20.55
87568-22**	22	28.65	20.00	26.90	23.65	22.55
87568-24**	24	30.65	22.00	28.90	25.65	24.55
87568-26**	26	32.65	24.00	30.90	27.65	26.55
87568-30**	30	36.65	28.00	34.90	31.65	30.55
87568-34**	34	40.65	32.00	38.90	35.65	34.55
87568-36**	36	42.65	34.00	40.90	37.65	36.55
87568-40**	40	46.65	38.00	44.90	41.65	40.55
87568-44**	44	50.65	42.00	48.90	45.65	44.55
87568-50**	50	56.65	48.00	54.90	51.65	50.55

87568 - * * * *
CKT. SIZE

PLATING OPTION
(SEE NOTE 2)

POLARIZATION KEY
& LOCKING RAMP OPTION

4 - WITH POLARIZATION ONLY FOR 14 - 50 CKT
6 - WITHOUT POLARIZATION AND RAMP LOCKING
7 - WITH SINGLE RAMP LOCKING ONLY FOR 10 & 12 CKT
9 - WITH POLARIZATION AND RAMP LOCKING FOR 14 - 50 CKT

10-12 CIRCUIT SIZE HAS ONLY ONE RAMP
FOR LOCKING (OPTIONAL)

14-50 CIRCUIT SIZE HAS BOTH
POLARIZATION AND RAMP LOCKING (OPTIONAL)

PDR No.: S-001141-00-00 EC NO.: S2006-0680 DRAWN BY: 2006/01/05 CHKD BY: 2006/01/05 APPR: P.L.M. 2006/01/06	QUALITY SYMBOLS	GENERAL TOLERANCES (UNLESS SPECIFIED)	DIMENSION STYLE	SCALE	DESIGN UNITS	THIRD ANGLE PROJECTION																		
	$\nabla=0$ $\nabla=0$	<table border="1"> <tr><th colspan="2">mm</th><th>INCH</th></tr> <tr><td>4 PLACES</td><td>± .005</td><td>± .0004</td></tr> <tr><td>3 PLACES</td><td>± .005</td><td>± .0004</td></tr> <tr><td>2 PLACES</td><td>± 0.15</td><td>± .005</td></tr> <tr><td>1 PLACE</td><td>± .005</td><td>± .0004</td></tr> </table>	mm		INCH	4 PLACES	± .005	± .0004	3 PLACES	± .005	± .0004	2 PLACES	± 0.15	± .005	1 PLACE	± .005	± .0004	MM ONLY	NTS	METRIC				
	mm		INCH																					
	4 PLACES	± .005	± .0004																					
3 PLACES	± .005	± .0004																						
2 PLACES	± 0.15	± .005																						
1 PLACE	± .005	± .0004																						
DESCRIPTION	DRAFT WHERE APPLICABLE MUST REMAIN WITHIN DIMENSIONS	<table border="1"> <tr><th colspan="2">DRAWN BY</th><th>DATE</th></tr> <tr><td>JAMES</td><td></td><td>1998/06/23</td></tr> <tr><th colspan="2">CHECKED BY</th><th>DATE</th></tr> <tr><td>SQUEK</td><td></td><td>1998/07/15</td></tr> <tr><th colspan="2">APPROVED BY</th><th>DATE</th></tr> <tr><td>SKTOH</td><td></td><td>1998/07/16</td></tr> </table>	DRAWN BY		DATE	JAMES		1998/06/23	CHECKED BY		DATE	SQUEK		1998/07/15	APPROVED BY		DATE	SKTOH		1998/07/16	TITLE	MGRID, 2MM DUAL ROW IDT RECEPTACLE		MOLEX INCORPORATED
DRAWN BY		DATE																						
JAMES		1998/06/23																						
CHECKED BY		DATE																						
SQUEK		1998/07/15																						
APPROVED BY		DATE																						
SKTOH		1998/07/16																						
REV G2		MATERIAL NO.	SEE TABLE	DOCUMENT NO.	SD-87568-003	SHEET NO. 2 OF 3																		

9 8 7 6 5 4 3 2 1

10 9 8 7 6 5 4 3 2 1

F

E

D

C

B

A

F

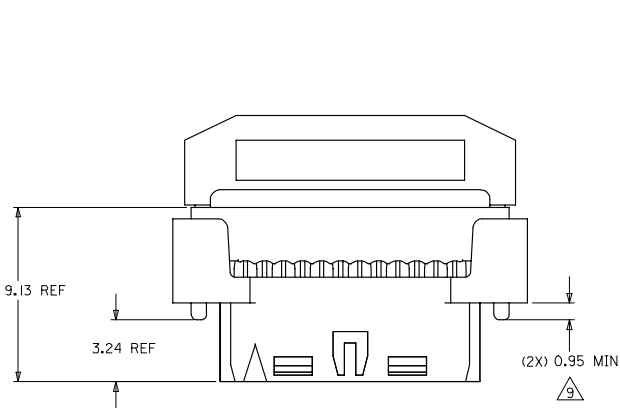
E

D

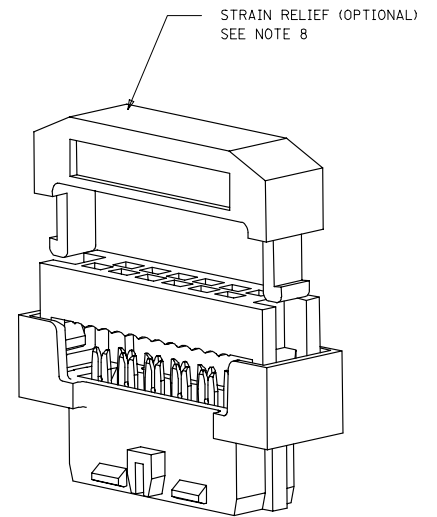
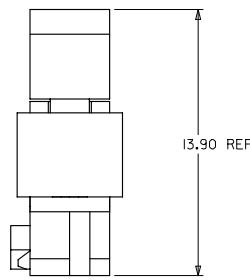
C

B

A



CABLE LOADED ASSEMBLY WITH STRAIN RELIEF



3D VIEW
(12 CKT SHOWN FOR ILLUSTRATION ONLY)

NOTES

△ THIS DIMENSION IS TO ENSURE GOOD CABLE TERMINATION.

PDR No.: S-001141-00-00 EC NO.: S2006-0680 DRAWN BY: 2006/01/05 CHECKED BY: 2006/01/05 APPROVED BY: 2006/01/06	QUALITY SYMBOLS ▽=0 ▽=0	GENERAL TOLERANCES (UNLESS SPECIFIED)		DIMENSION STYLE MM ONLY		SCALE NTS	DESIGN UNITS METRIC	THIRD ANGLE PROJECTION	
		mm	INCH	DRAWN BY MSAKTHI	DATE 1999/02/26	TITLE MGRID, 2MM DUAL ROW IDT RECEPTACLE			
		4 PLACES ± ---	± ---	CHECKED BY JSGOH	DATE 1999/07/19	MATERIAL NO. SD-87568-003			
		3 PLACES ± ---	± ---	APPROVED BY JAMES	DATE 1999/07/19	DOCUMENT NO. SD-87568-003			
2 PLACES ± 0.15	± ---	ANGULAR ± 3 °		SEE TABLE		SHEET NO. 3 OF 3		THIS DRAWING CONTAINS INFORMATION THAT IS PROPRIETARY TO MOLEX INCORPORATED AND SHOULD NOT BE USED WITHOUT WRITTEN PERMISSION	
1 PLACE ± ---	± ---	DRAFT WHERE APPLICABLE MUST REMAIN WITHIN DIMENSIONS		SIZE A3		MOLEX MOLEX INCORPORATED			

9 8 7 6 5 4 3 2 1