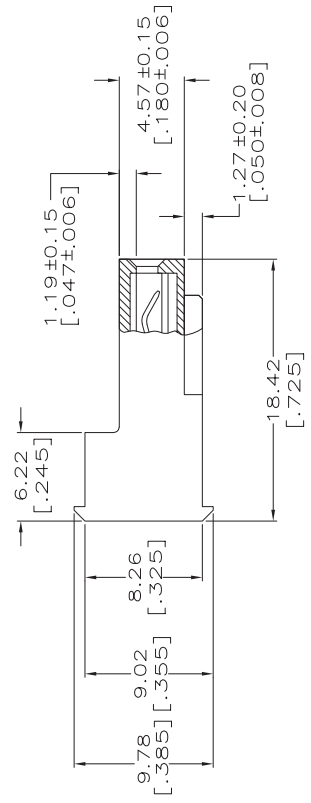
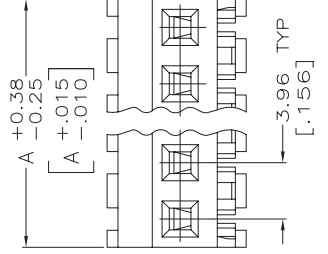
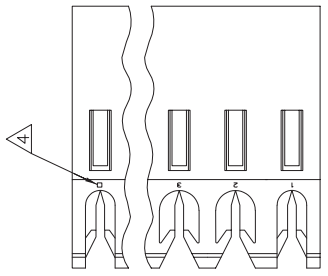


THIS DRAWING IS UNPUBLISHED. RELEASED FOR PUBLICATION BY TYCO ELECTRONICS CORPORATION. ALL RIGHTS RESERVED.

LOC	DIST	REVISONS	DATE	UN	APPD
CM	O	DESCRIPTION	21JUN07	KW	DB
	L	ECC-07-012879			



- MATERIAL:**
 CONNECTOR - NYLON UL94V-2 (YELLOW).
 CONTACTS - 0.30[0.12] THICK COPPER ALLOY.
 PLATING - 0.0038[0.00015] GOLD IN CONTACT AREA.
 0.00203[0.00080] MIN THICKNESS BRIGHT
 TIN-LEAD IN SLOT AREA FOR 641174-2 THRU
 2-641174-4 OR MATTE WHISKER MITIGATED
 TIN IN THE SLOT AREA FOR 3-641174-2 THRU
 5-641174-4 OVER NICKEL UNDERPLATE.
- CONTACTS ACCEPT 20 AWG WIRE WITH 2.41[0.095] MAX INSULATION DIAMETER.
- CONTACTS MUST ACCEPT 1.14±0.03[0.045±0.001] SQUARE POST AND REMAIN LOCKED IN POSITION.
- IDENTIFICATION NUMBER FOR LAST CIRCUIT MAY NOT APPEAR ON ALL ASSEMBLIES.
- DIMENSIONS IN BRACKETS ARE IN INCHES.
- HOUSING FEATURES ARE: FEED-THRU WITHOUT LOCKING RAMP.

NOTE DELETED.
 NOTE DELETED.



TIN	95.10	3.744	24	5-641174-4
	91.14	3.588	23	5-641174-3
	87.17	3.432	22	5-641174-2
	83.21	3.276	21	5-641174-1
	79.25	3.120	20	5-641174-0
	75.29	2.964	19	4-641174-9
	71.32	2.808	18	4-641174-8
	67.36	2.652	17	4-641174-7
	63.40	2.496	16	4-641174-6
	59.44	2.340	15	4-641174-5
	55.47	2.184	14	4-641174-4
	51.51	2.028	13	4-641174-3
	47.55	1.872	12	4-641174-2
	43.59	1.716	11	4-641174-1
	39.62	1.560	10	4-641174-0
	35.66	1.404	9	3-641174-9
	31.70	1.248	8	3-641174-8
	27.74	1.092	7	3-641174-7
	23.77	0.936	6	3-641174-6
	19.81	0.780	5	3-641174-5
	15.85	0.624	4	3-641174-4
	11.89	0.468	3	3-641174-3
	7.92	0.312	2	3-641174-2
	95.10	3.744	24	2-641174-4
	91.14	3.588	23	2-641174-3
	87.17	3.432	22	2-641174-2
	83.21	3.276	21	2-641174-1
	79.25	3.120	20	2-641174-0
	75.29	2.964	19	1-641174-9
	71.32	2.808	18	1-641174-8
	67.36	2.652	17	1-641174-7
	63.40	2.496	16	1-641174-6
	59.44	2.340	15	1-641174-5
	55.47	2.184	14	1-641174-4
	51.51	2.028	13	1-641174-3
	47.55	1.872	12	1-641174-2
	43.59	1.716	11	1-641174-1
	39.62	1.560	10	1-641174-0
	35.66	1.404	9	641174-9
	31.70	1.248	8	641174-8
	27.74	1.092	7	641174-7
	23.77	0.936	6	641174-6
	19.81	0.780	5	641174-5
	15.85	0.624	4	641174-4
	11.89	0.468	3	641174-3
	7.92	0.312	2	641174-2

THIS DRAWING IS A CONTROLLED DOCUMENT.		REV	DATE	BY	APPD
DIMENSIONS:		OK	3-11-98	B. LEWIS	3-11-98
TOLERANCES UNLESS SPECIFIED:		SWING			
0 PLG ±		APD			
1 PLG ±		PRODUCT SPEC			
2 PLG ±		APPLICATION SPEC			
3 PLG ± 0.13 [0.05]		WEIGHT			
ANGLES ±					
FINISH ±					
MATERIAL - A		CUSTOMER DRAWING			
		SCALE 4:1		SHEET 1 OF 1	

CONTRACT FINISH		DIM A		NO. OF CIRCUITS		PART NO.	
TYCO ELECTRONICS		TYCO ELECTRONICS		TYCO ELECTRONICS CORPORATION		HARRISBURG, PA 17105-3608	
NAME		NAME		NAME		NAME	
MTA-156 CONNECTOR ASSEMBLY, 20 AWG, STANDARD		MTA-156 CONNECTOR ASSEMBLY, 20 AWG, STANDARD		MTA-156 CONNECTOR ASSEMBLY, 20 AWG, STANDARD		MTA-156 CONNECTOR ASSEMBLY, 20 AWG, STANDARD	
DRAWING NO		DRAWING NO		DRAWING NO		DRAWING NO	
A2 00779		A2 00779		A2 00779		A2 00779	
RESTRICTED TO		RESTRICTED TO		RESTRICTED TO		RESTRICTED TO	