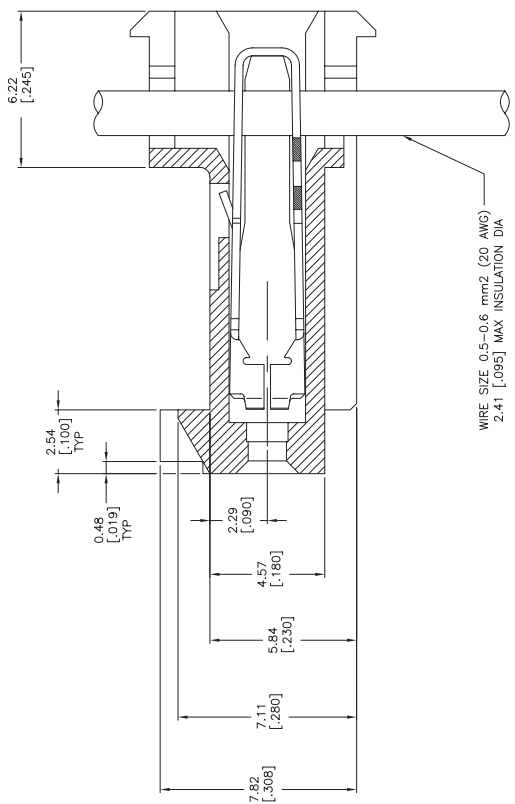
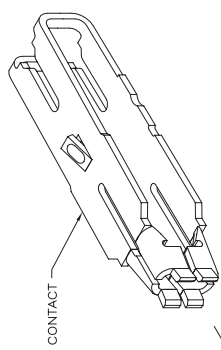
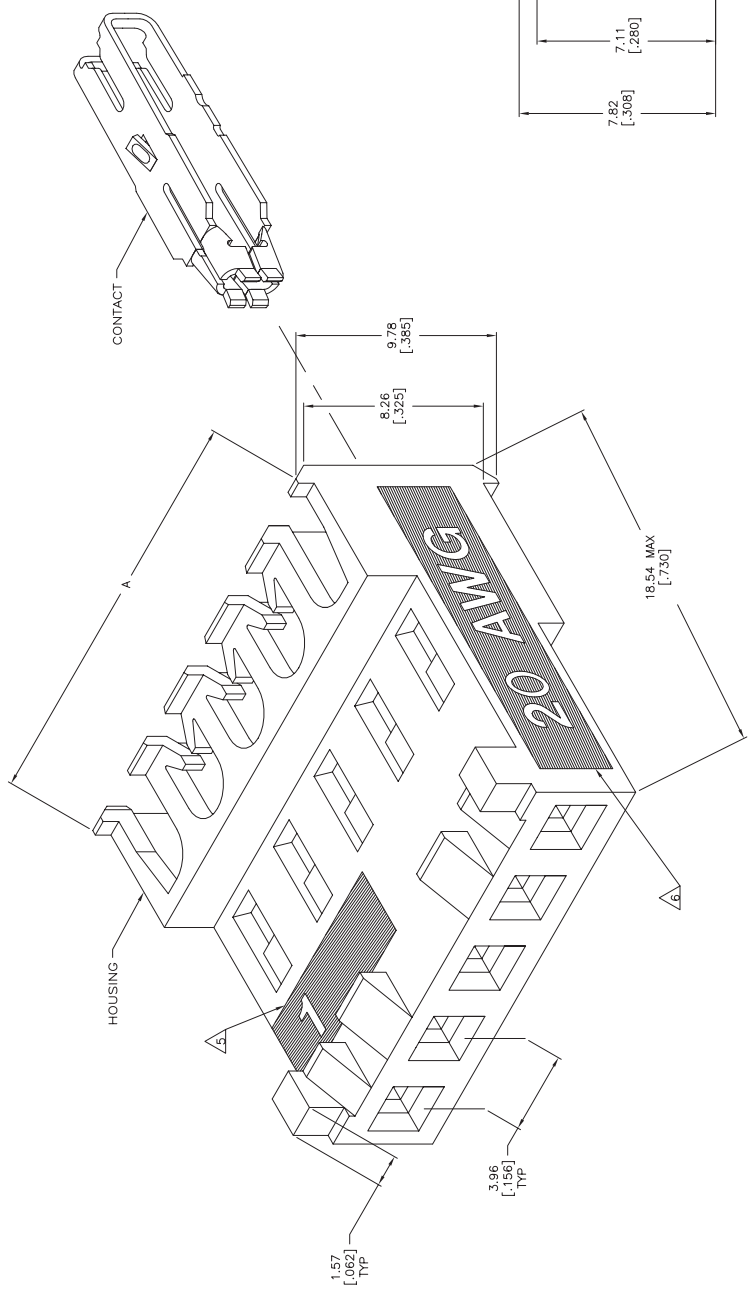


1. OPERATING TEMPERATURE: -55°C TO 105°C.
2. MATERIAL: HOUSING, NYLON 6/6, UL 94V-0, BLACK CONTACT, 0.30 [.012] THICK COPPER ALLOY
3. FINISH: BRIGHT TIN-LEAD 0.00203-0.00508 [.000080-.000200"] THICK OR MATTE WHISKER MITIGATED TIN 0.00203 [.000080] MIN THICKNESS OVER NICKEL UNDERPLATE.
4. LUBRICATED WITH AMP ANTI-FRETTING LUBRICANT.
5. IDENTIFICATION NUMBER FOR FIRST CIRCUIT.
6. WIRE GAUGE IDENTIFICATION
7. DIMENSIONS IN BRACKETS ARE IN INCHES.
8. CONTACT MUST ACCEPT 1.14±0.03 [.045±.001] SQUARE POST AND REMAINED LOCKED IN POSITION.



TIN	47.55±0.30	[1.872±.012]	12	4-644388-2	FINISH	A	NO OF CKTS	PART NO
TIN	43.59±0.30	[1.716±.012]	11	4-644388-1	TIN-LEAD	A	12	1-644388-2
TIN	39.62±0.30	[1.560±.012]	10	4-644388-0	TIN-LEAD	A	11	1-644388-1
TIN	35.66±0.30	[1.404±.012]	9	3-644388-9	TIN-LEAD	A	10	1-644388-0
TIN	31.70±0.30	[1.248±.012]	8	3-644388-8	TIN-LEAD	A	9	644388-9
TIN	27.74±0.30	[1.092±.012]	7	3-644388-7	TIN-LEAD	A	8	644388-8
TIN	23.77±0.30	[.936±.012]	6	3-644388-6	TIN-LEAD	A	7	644388-7
TIN	19.81±0.30	[.780±.012]	5	3-644388-5	TIN-LEAD	A	6	644388-6
TIN	15.85±0.15	[.624±.006]	4	3-644388-4	TIN-LEAD	A	5	644388-5
TIN	11.89±0.15	[.468±.006]	3	3-644388-3	TIN-LEAD	A	4	644388-4
TIN	7.92±0.15	[.312±.006]	2	3-644388-2	TIN-LEAD	A	3	644388-3
FINISH							2	644388-2

THIS DRAWING IS A CONTROLLED DOCUMENT.  
 DIMENSIONS: INCHES (MILLIMETERS)  
 UNLESS OTHERWISE SPECIFIED:  
 FINISH: BRIGHT TIN-LEAD 0.00203-0.00508 [.000080-.000200"] THICK OR MATTE WHISKER MITIGATED TIN 0.00203 [.000080] MIN THICKNESS OVER NICKEL UNDERPLATE.  
 APPLICATION SPEC: POLARIZING TAB  
 PART NO: 1-644388-2  
 CUSTOMER DRAWING: A100779-644388

METRIC ELECTRONICS CORPORATION  
 HARRISBURG, PA 17105-3608  
 MFA-156 CONNECTOR ASSEMBLY, QUAD, 20 AWG, FEED THRU, WITH LOCKING RAMP.  
 POLARIZING TAB

METRIC ELECTRONICS CORPORATION  
 HARRISBURG, PA 17105-3608  
 MFA-156 CONNECTOR ASSEMBLY, QUAD, 20 AWG, FEED THRU, WITH LOCKING RAMP.  
 POLARIZING TAB

CUSTOMER DRAWING: A100779-644388

