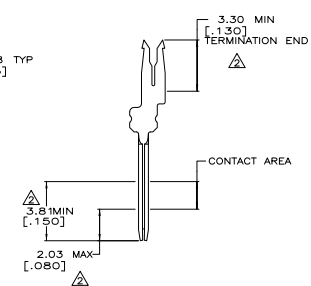
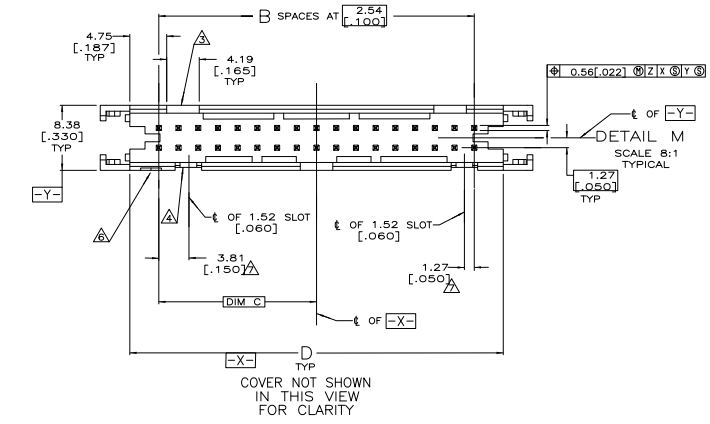
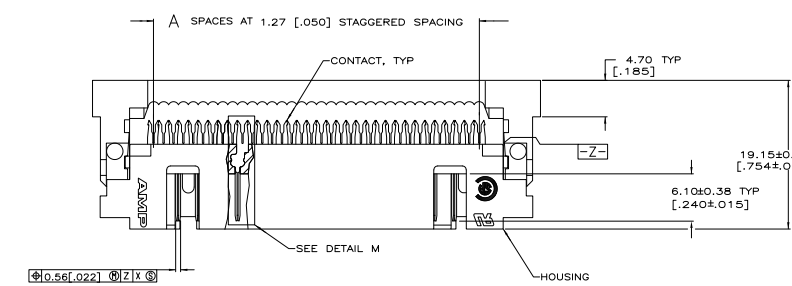
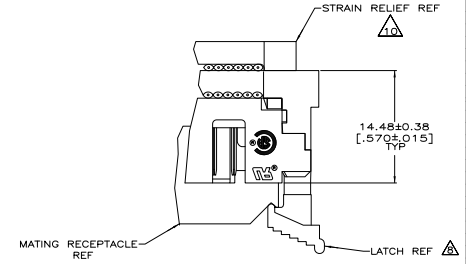
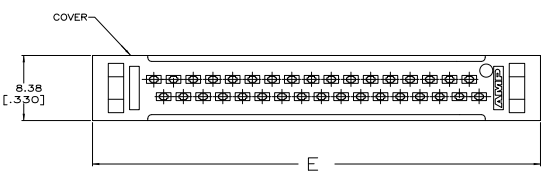


- ▲ FLAME RETARDANT 94V-0 RATED THERMOPLASTIC; BLACK.
- ▲ 2.54mm [.000100] MIN MATTE TIN ON TERMINATION END, 0.38mm [.000015] MIN GOLD ON CONTACT AREA, ALL OVER 1.27mm [.000050] MIN NICKEL.
- ▲ NO SLOT ON THIS END FOR 10 AND 14 POSITION HOUSINGS.
- ▲ NO SLOT FOR SNAP-IN POLARIZER ON THIS END FOR 10 AND 14 POSITION HOUSINGS.
- 5. FOR MILITARY POLARIZATION, ORDER SNAP-IN POLARIZER 499991-2 (BULK PACK OF 50).
- ▲ POSITION NO 1 INDICATOR.
- ▲ COORDINATE DIMENSION APPLIES FROM CENTER OF ACTUAL FEATURE.
- ▲ FOR LATCHES ORDER 111451, 2 PER ASSEMBLY.
- ▲ PHOSPHOR BRONZE PER QQ-B-750.
- ▲ STRAIN RELIEF 111547 MUST BE ORDERED SEPARATELY.
- ▲ OBSOLETE.



TERMINATED ASSEMBLY (ASSEMBLED BY CUSTOMER)

95.81 [3.772]	86.21 [3.394]	39.37 [1.550]	31	63	64	▲ 1-111445-3
89.59 [3.527]	81.13 [3.194]	36.83 [1.450]	29	59	60	▲ 1-111445-2
78.03 [3.072]	68.43 [2.694]	30.48 [1.200]	24	49	50	▲ 1-111445-1
70.41 [2.772]	60.81 [2.394]	26.67 [1.050]	21	43	44	▲ 1-111445-0
65.35 [2.572]	55.73 [2.194]	24.13 [.950]	19	39	40	▲ 111445-9
57.71 [2.272]	48.11 [1.894]	20.32 [.800]	16	33	34	▲ 111445-8
52.65 [2.072]	43.03 [1.694]	17.78 [.700]	14	29	30	▲ 111445-7
47.55 [1.872]	37.95 [1.494]	15.24 [.600]	12	25	26	▲ 111445-6
45.01 [1.772]	35.41 [1.394]	13.37 [.550]	11	23	24	▲ 111445-5
39.93 [1.572]	30.33 [1.194]	11.43 [.450]	9	19	20	▲ 111445-4
34.85 [1.372]	25.25 [.994]	9.50 [.350]	7	15	16	▲ 111445-3
32.31 [1.272]	22.71 [.894]	7.62 [.300]	6	13	14	▲ 111445-2
27.230 [1.072]	17.63 [.694]	5.08 [.200]	4	9	10	▲ 111445-1
E	D	C	B	A	NO OF POSN	PART NUMBER

THIS DRAWING IS A CONTROLLED DOCUMENT. TDS ELECTRONICS CORPORATION

INCHES	UNLESS OTHERWISE SPECIFIED	FRONT VIEW	UNIVERSAL I/O PIN CONNECTOR, WITHOUT MOUNTING EARL, AMP-LATCH
108-1336	114-7011	114-7011	114-7011
114-7011	114-7011	114-7011	114-7011

DATE: 11/14/08
 DRAWING NO: 114-7011
 PART NO: 111445
 REV: 1
 SHEET: 1 OF 1