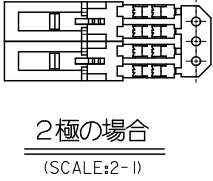
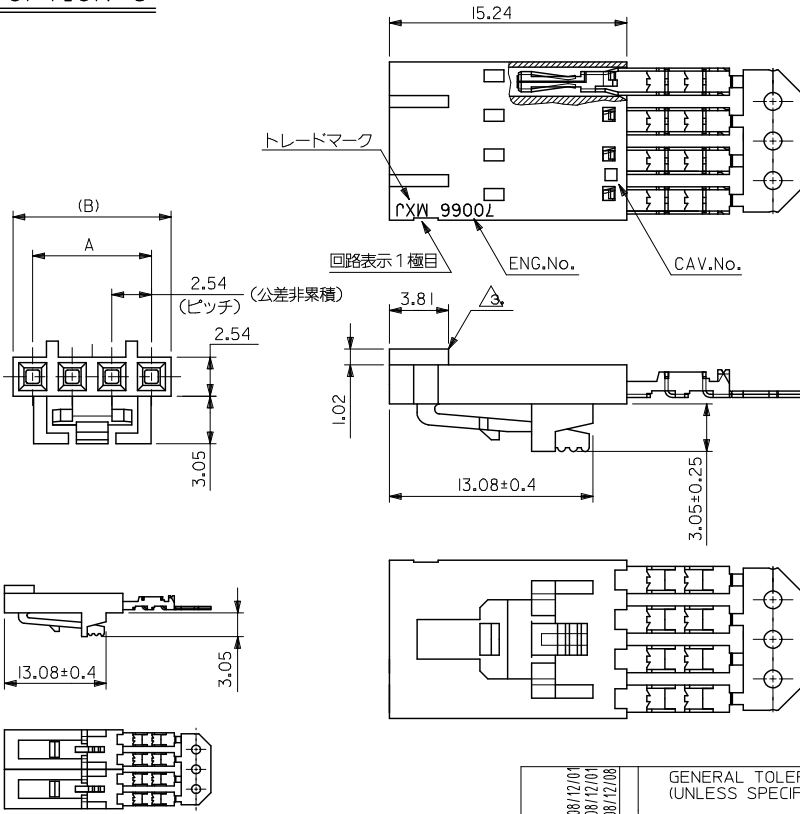


10 9 8 7 6 5 4 3 2 1

**OPTION G**



**注記:**

1. 材料  
ハウジング: ガラス入りポリエステル UL 94V-0  
ターミナル: 磷青銅
2. 仕上げ  
接点部 : 金メッキ 0.38 μm MIN.  
圧接部 : 錫メッキ 1.91 μm MIN.  
下地メッキ: ニッケルメッキ 1.27 μm MIN.
3. 極性リブは、2極及び3極の場合1箇所のみとする。  
但し3極の場合のリブは、1極目と2極目の間とする。
4. 適合オスコネクター: 70107-\*\*\*\*, 70018-\*\*\*\*
5. 適合ヘッダー: 70389-\*\*\*\*, 70391-\*\*\*\*
6. ハウジングの色: 黒

60.96	58.42	70400-0688	24
58.42	55.88	70400-0687	23
48.26	45.72	70400-0683	19
40.64	38.10	70400-0680	16
38.10	35.56	70400-0679	15
35.56	33.02	70400-0678	14
33.02	30.48	70400-0677	13
27.94	25.40	70400-0675	11
25.40	22.86	70400-0674	10
22.86	20.32	70400-0673	9
(B)	A	MATERIAL No.	極数

REVISED E.C. NO: J2009-0453 DRAWN BY: DRW:YOSHIDAM CHECKED BY: CHYK:THAYUYAMA APPROVED BY: APPR:NIKIITA DATE: 2008/12/01 DATE: 2008/12/08 DATE: 2008/12/08	GENERAL TOLERANCES (UNLESS SPECIFIED)		DIMENSION STYLE MM ONLY		SCALE 4:1	DESIGN UNITS METRIC	THIRD ANGLE PROJECTION
	10 UNDER	±0.2	DRAWN BY T. FURUHATA	DATE '07/11/17	TITLE 2.54 SINGLE ROW ASSY FEMALE I.D.CONN OPTION G -LEAD FREE-		
	10 OVER 30 UNDER	±0.25	CHECKED BY M. SASAO	DATE			
	30 OVER	±0.3	APPROVED BY S. YAMADA	DATE	MOLEX INCORPORATED DOCUMENT NO. SD-70400-010		
ANGULAR ±3 ° DRAFT WHERE APPLICABLE MUST REMAIN WITHIN DIMENSIONS		MATERIAL NO. SEE TABLE		SHEET NO. 1 OF 1			

13 12 11 10 9 8 7 6 5 4 3 2 1

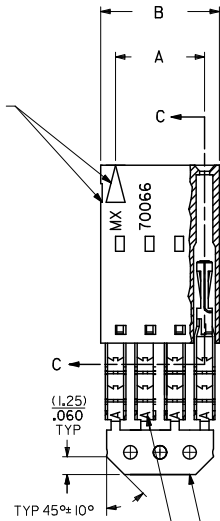
# OPTION A

- NOTES:
- MATERIAL:  
HOUSING: POLYESTER(FBT), GLASS FILLED, UL94 V-0,  
COLOR: BLACK  
TERMINAL: PHOSPHOR BRONZE
  - FINISH:  
15 GOLD: 0.38 MICROMETERS/15 MICROINCHES MINIMUM GOLD IN  
1.91 MICROMETERS/75 MICROINCHES MINIMUM TIN  
OVER NICKEL UNDERPLATE OVERALL
  - TO BE USED WITH 24 AWG STRANDED WIRE WITH (1.35)/.053  
DIAMETER MAXIMUM INSULATION
  - SEE TABLE FOR AVAILABLE CIRCUIT SIZES
  - STANDARD PACKAGING PER PK-70873-0001. OPTIONAL PACKAGING  
MAY BE AVAILABLE. REQUEST CIRCUIT SIZES
  - PARTS STACKABLE END TO END ON (2.54)/.100 CENTERS
  - PRODUCT SPECIFICATION: PS-70400
  - SEE DRAWING SDA-70400-\*\*\*\* (SHEET 3) FOR OPTIONAL  
HOUSING DETAILS
  - 4 CIRCUIT SHOWN
  - TO MATE WITH MOLEX 2.54/.100 CENTERLINE HEADERS
  - 2 CIRCUIT ASSEMBLIES SUPPLIED AS GROUPED PAIRS

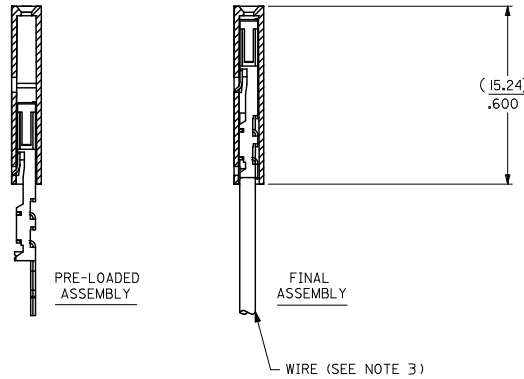


CKT. SIZE	A	B	EDP. NO.
2	( 2.54 ) .100	( 5.05 ) .199	I4-56-202I
3	( 5.08 ) .200	( 7.59 ) .299	I4-56-203I
4	( 7.62 ) .300	( 10.13 ) .399	I4-56-204I
5	( 10.16 ) .400	( 12.67 ) .499	I4-56-205I
6	( 12.70 ) .500	( 15.21 ) .599	I4-56-206I
7	( 15.24 ) .600	( 17.75 ) .699	I4-56-207I
8	( 17.78 ) .700	( 20.29 ) .799	I4-56-208I
9	( 20.32 ) .800	( 22.83 ) .899	I4-56-209I
10	( 22.86 ) .900	( 25.37 ) .999	I4-56-210I
11	( 25.40 ) 1.000	( 27.91 ) 1.099	I4-56-211I
12	( 27.94 ) 1.100	( 30.45 ) 1.199	I4-56-212I
13	( 30.48 ) 1.200	( 32.99 ) 1.299	I4-56-213I
14	( 33.02 ) 1.300	( 35.53 ) 1.399	I4-56-214I
15	( 35.56 ) 1.400	( 38.07 ) 1.499	I4-56-215I
16	( 38.10 ) 1.500	( 40.61 ) 1.599	I4-56-216I
17	( 40.64 ) 1.600	( 43.15 ) 1.699	I4-56-217I
18	( 43.18 ) 1.700	( 45.69 ) 1.799	I4-56-218I
19	( 45.72 ) 1.800	( 48.23 ) 1.899	I4-56-219I
20	( 48.26 ) 1.900	( 50.77 ) 1.999	I4-56-220I
21	( 50.80 ) 2.000	( 53.31 ) 2.099	I4-56-221I
22	( 53.34 ) 2.100	( 55.85 ) 2.199	I4-56-222I
23	( 55.88 ) 2.200	( 58.39 ) 2.299	I4-56-223I
24	( 58.42 ) 2.300	( 60.93 ) 2.399	I4-56-224I
25	( 60.96 ) 2.400	( 63.47 ) 2.499	I4-56-225I

CIRCUIT NO. I  
SLOT OR ARROW



## SECTION C-C



WIRE (SEE NOTE 3)

I.D. SLOT CODE TO WIRE GAUGE CHART	
I.D. SLOT CODE	WIRE GAUGE
A	24 AWG.

PLATING CODE (STRIPE ON CARRIER STRIP)	
PLATING	COLOR
I5 GOLD	YELLOW

REMOVE ENG. NO. EC NO. LCF2011-110 2010/10/19 DRW:MS BARRA CHK:DJORDAN 2010/10/19 APPR:SMILLER 2010/11/24	QUALITY SYMBOLS ∇=0 ∇=0 ∇=0	GENERAL TOLERANCES (UNLESS SPECIFIED) mm INCH 4 PLACES ±.--- ±.--- 3 PLACES ±.--- ±.010 2 PLACES ±.25 ±.014 1 PLACE ±.35 ±.--- ANGULAR ±1/2°	DIMENSION STYLE MM/IN DRAWN BY MS BARRA DATE 2010/10/19 CHECKED BY WAZ DATE 1984/10/09 APPROVED BY SMILLER DATE 2010/11/24	SCALE INCH DESIGN UNITS INCH THIRD ANGLE PROJECTION	TITLE ASSEMBLY, SL CONNECTOR SINGLE ROW 2.54/.100 GRID	MATERIAL NO. SDA-70400-0526-0549	DOCUMENT NO. MOLEX INCORPORATED	SHEET NO. 1 OF 1
	DRAFT WHERE APPLICABLE MUST REMAIN WITHIN DIMENSIONS		SEE TABLE	THIS DRAWING CONTAINS INFORMATION THAT IS PROPRIETARY TO MOLEX INCORPORATED AND SHOULD NOT BE USED WITHOUT WRITTEN PERMISSION				

12 11 10 9 8 7 6 5 4 3 2 1