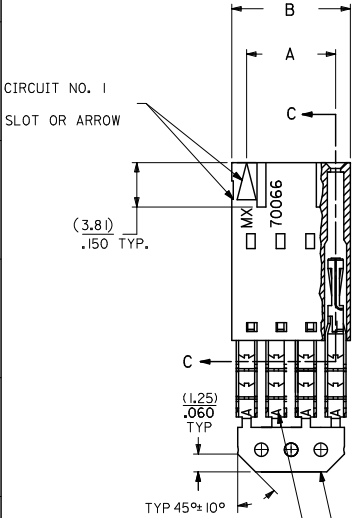
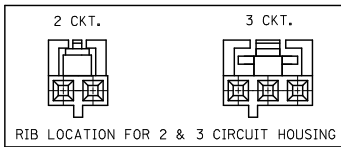
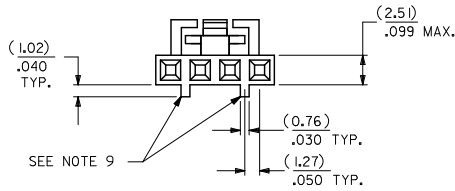


13 12 11 10 9 8 7 6 5 4 3 2 1

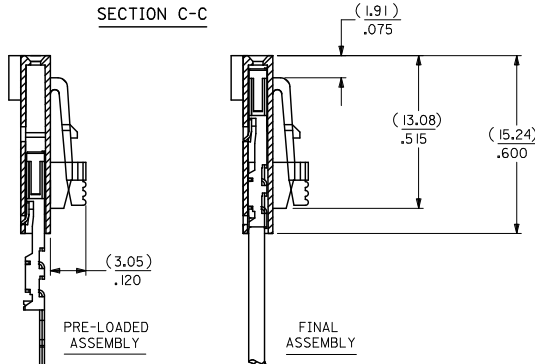
# OPTION G

- NOTES:
- MATERIAL:  
HOUSING: POLYESTER(PBT), GLASS FILLED, UL94 V-0,  
COLOR: BLACK  
TERMINAL: PHOSPHOR BRONZE
  - FINISH:  
15 GOLD: 0.38 MICROMETERS/15 MICROINCHES MINIMUM GOLD IN  
1.91 MICROMETERS/75 MICROINCHES MINIMUM TIN  
OVER NICKEL UNDERPLATE OVERALL
  - TO BE USED WITH 24 AWG STRANDED WIRE WITH (1.35)/.053  
DIAMETER MAXIMUM INSULATION
  - SEE TABLE FOR AVAILABLE CIRCUIT SIZES
  - STANDARD PACKAGING PER PK-70873-0001. OPTIONAL PACKAGING  
MAY BE AVAILABLE, REQUEST DRAWING PK-70400
  - PARTS STACKABLE END TO END ON (2.54)/.100 CENTERS
  - PRODUCT SPECIFICATION: PS-70400
  - SEE DRAWING SDA-70400-\*\*\*\* (SHEET 3) FOR OPTIONAL  
HOUSING DETAILS
  - 4 CIRCUIT SHOWN, 3-25 CIRCUITS HAVE 2 RIBS
  - TO MATE WITH MOLEX PART NUMBERS: A-70373-\*\*\*\*,  
A-70375-\*\*\*\*, A-70389-\*\*\*\*, A-70391-\*\*\*\*,  
A-70107-\*\*\*\*, A-70018-\*\*\*\*, A-70543-\*\*\*\*,  
A-70553-\*\*\*\*, A-70541-\*\*\*\*, A-70551-\*\*\*\*,  
A-70545-\*\*\*\*, A-70555-\*\*\*\*
  - 2 CIRCUIT ASSEMBLIES SUPPLIED AS GROUPED PAIRS

CKT. SIZE	A	B	EDP. NO.
2	( 2.54 ) .100	( 5.05 ) .199	14-56-2022
3	( 5.08 ) .200	( 7.59 ) .299	14-56-2032
4	( 7.62 ) .300	( 10.13 ) .399	14-56-2042
5	( 10.16 ) .400	( 12.67 ) .499	14-56-2052
6	( 12.70 ) .500	( 15.21 ) .599	14-56-2062
7	( 15.24 ) .600	( 17.75 ) .699	14-56-2072
8	( 17.78 ) .700	( 20.29 ) .799	14-56-2082
9	( 20.32 ) .800	( 22.83 ) .899	14-56-2092
10	( 22.86 ) .900	( 25.37 ) .999	14-56-2102
11	( 25.54 ) 1.000	( 27.91 ) 1.099	14-56-2112
12	( 27.94 ) 1.100	( 30.45 ) 1.199	14-56-2122
13	( 30.48 ) 1.200	( 32.99 ) 1.299	14-56-2132
14	( 33.02 ) 1.300	( 35.53 ) 1.399	14-56-2142
15	( 35.56 ) 1.400	( 38.07 ) 1.499	14-56-2152
16	( 38.01 ) 1.500	( 40.61 ) 1.599	14-56-2162
17	( 40.64 ) 1.600	( 43.15 ) 1.699	14-56-2172
18	( 43.18 ) 1.700	( 45.69 ) 1.799	14-56-2182
19	( 45.72 ) 1.800	( 48.23 ) 1.899	14-56-2192
20	( 48.26 ) 1.900	( 50.77 ) 1.999	14-56-2202
21	( 50.80 ) 2.000	( 53.31 ) 2.099	14-56-2212
22	( 53.34 ) 2.100	( 55.85 ) 2.199	14-56-2222
23	( 55.88 ) 2.200	( 58.39 ) 2.299	14-56-2232
24	( 58.42 ) 2.300	( 60.93 ) 2.399	14-56-2242
25	( 60.96 ) 2.400	( 63.47 ) 2.499	14-56-2252



### SECTION C-C



I.D. SLOT CODE TO WIRE GAUGE CHART	
I.D. SLOT CODE	WIRE GAUGE
A	24 AWG.

PLATING CODE (STRIPE ON CARRIER STRIP)	
PLATING	COLOR
15 GOLD	YELLOW

REMOVE ENG. NO. E.C. NO. LCP2011-110 DRWNS BARRA 2010/10/19 CHKDRNGAN 2010/10/19 APPR: SMILLER 2010/11/24	QUALITY SYMBOLS ∇=0 ∇=0 ∇=0	GENERAL TOLERANCES (UNLESS SPECIFIED) <table border="1"> <tr> <th></th> <th>mm</th> <th>INCH</th> </tr> <tr> <td>4 PLACES</td> <td>±.005</td> <td>±.0005</td> </tr> <tr> <td>3 PLACES</td> <td>±.008</td> <td>±.0010</td> </tr> <tr> <td>2 PLACES</td> <td>±.015</td> <td>±.0015</td> </tr> <tr> <td>1 PLACE</td> <td>±.030</td> <td>±.0030</td> </tr> </table>		mm	INCH	4 PLACES	±.005	±.0005	3 PLACES	±.008	±.0010	2 PLACES	±.015	±.0015	1 PLACE	±.030	±.0030	DIMENSION STYLE MM/IN	SCALE INCH	DESIGN UNITS INCH	THIRD ANGLE PROJECTION
		mm	INCH																		
	4 PLACES	±.005	±.0005																		
	3 PLACES	±.008	±.0010																		
2 PLACES	±.015	±.0015																			
1 PLACE	±.030	±.0030																			
		DRAWN BY MS1BARRA	DATE 2010/10/19	TITLE ASSEMBLY, SL CONNECTOR SINGLE ROW 2.54/.100 GRID																	
		CHECKED BY WAZ	DATE 1984/10/09	MOLEX INCORPORATED																	
		APPROVED BY SMILLER	DATE 2010/11/24	DOCUMENT NO. SDA-70400-0666-0689																	
		MATERIAL NO. SEE TABLE		SHEET NO. 1 OF 1																	
DRAFT WHERE APPLICABLE MUST REMAIN WITHIN DIMENSIONS																					

THIS DRAWING CONTAINS INFORMATION THAT IS PROPRIETARY TO MOLEX INCORPORATED AND SHOULD NOT BE USED WITHOUT WRITTEN PERMISSION