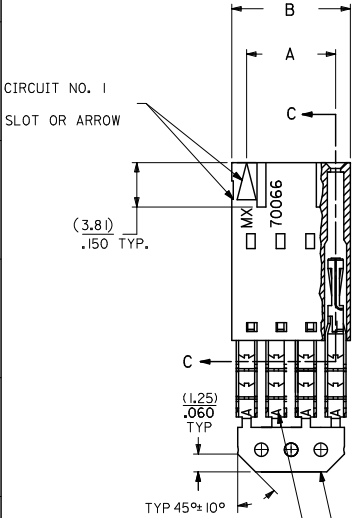
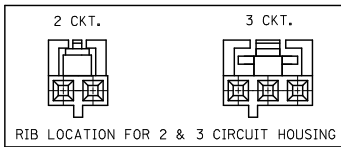
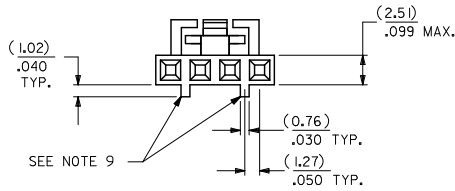


13 12 11 10 9 8 7 6 5 4 3 2 1

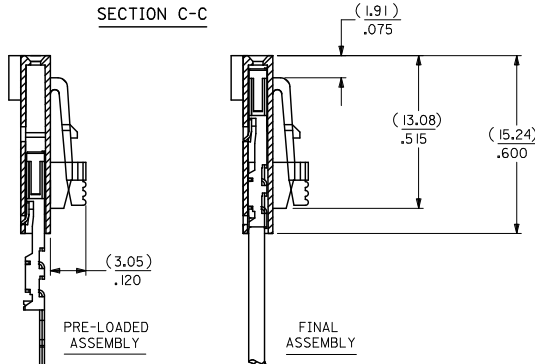
OPTION G

- NOTES:
- MATERIAL:
HOUSING: POLYESTER(PBT), GLASS FILLED, UL94 V-0,
COLOR: BLACK
TERMINAL: PHOSPHOR BRONZE
 - FINISH:
15 GOLD: 0.38 MICROMETERS/15 MICROINCHES MINIMUM GOLD IN
1.91 MICROMETERS/75 MICROINCHES MINIMUM TIN
OVER NICKEL UNDERPLATE OVERALL
 - TO BE USED WITH 24 AWG STRANDED WIRE WITH (1.35)/.053
DIAMETER MAXIMUM INSULATION
 - SEE TABLE FOR AVAILABLE CIRCUIT SIZES
 - STANDARD PACKAGING PER PK-70873-0001. OPTIONAL PACKAGING
MAY BE AVAILABLE, REQUEST DRAWING PK-70400
 - PARTS STACKABLE END TO END ON (2.54)/.100 CENTERS
 - PRODUCT SPECIFICATION: PS-70400
 - SEE DRAWING SDA-70400-**** (SHEET 3) FOR OPTIONAL
HOUSING DETAILS
 - 4 CIRCUIT SHOWN, 3-25 CIRCUITS HAVE 2 RIBS
 - TO MATE WITH MOLEX PART NUMBERS: A-70373-****,
A-70375-****, A-70389-****, A-70391-****,
A-70107-****, A-70018-****, A-70543-****,
A-70553-****, A-70541-****, A-70551-****,
A-70545-****, A-70555-****
 - 2 CIRCUIT ASSEMBLIES SUPPLIED AS GROUPED PAIRS

CKT. SIZE	A	B	EDP. NO.
2	(2.54) .100	(5.05) .199	14-56-2022
3	(5.08) .200	(7.59) .299	14-56-2032
4	(7.62) .300	(10.13) .399	14-56-2042
5	(10.16) .400	(12.67) .499	14-56-2052
6	(12.70) .500	(15.21) .599	14-56-2062
7	(15.24) .600	(17.75) .699	14-56-2072
8	(17.78) .700	(20.29) .799	14-56-2082
9	(20.32) .800	(22.83) .899	14-56-2092
10	(22.86) .900	(25.37) .999	14-56-2102
11	(25.54) 1.000	(27.91) 1.099	14-56-2112
12	(27.94) 1.100	(30.45) 1.199	14-56-2122
13	(30.48) 1.200	(32.99) 1.299	14-56-2132
14	(33.02) 1.300	(35.53) 1.399	14-56-2142
15	(35.56) 1.400	(38.07) 1.499	14-56-2152
16	(38.01) 1.500	(40.61) 1.599	14-56-2162
17	(40.64) 1.600	(43.15) 1.699	14-56-2172
18	(43.18) 1.700	(45.69) 1.799	14-56-2182
19	(45.72) 1.800	(48.23) 1.899	14-56-2192
20	(48.26) 1.900	(50.77) 1.999	14-56-2202
21	(50.80) 2.000	(53.31) 2.099	14-56-2212
22	(53.34) 2.100	(55.85) 2.199	14-56-2222
23	(55.88) 2.200	(58.39) 2.299	14-56-2232
24	(58.42) 2.300	(60.93) 2.399	14-56-2242
25	(60.96) 2.400	(63.47) 2.499	14-56-2252



SECTION C-C



I.D. SLOT CODE TO WIRE GAUGE CHART	
I.D. SLOT CODE	WIRE GAUGE
A	24 AWG.

PLATING CODE (STRIPE ON CARRIER STRIP)	
PLATING	COLOR
15 GOLD	YELLOW

REMOVE ENG. NO. E.C. NO. LCP2011-110 DRWNS BARRA 2010/10/19 CHKDRNGAN 2010/10/19 APPR: SMILLER 2010/11/24	QUALITY SYMBOLS ∇=0 ∇=0 ∇=0	GENERAL TOLERANCES (UNLESS SPECIFIED) <table border="1"> <tr> <th></th> <th>mm</th> <th>INCH</th> </tr> <tr> <td>4 PLACES</td> <td>±.005</td> <td>±.0005</td> </tr> <tr> <td>3 PLACES</td> <td>±.008</td> <td>±.0008</td> </tr> <tr> <td>2 PLACES</td> <td>±.015</td> <td>±.0015</td> </tr> <tr> <td>1 PLACE</td> <td>±.030</td> <td>±.0030</td> </tr> </table>		mm	INCH	4 PLACES	±.005	±.0005	3 PLACES	±.008	±.0008	2 PLACES	±.015	±.0015	1 PLACE	±.030	±.0030	DIMENSION STYLE MM/IN	SCALE INCH	DESIGN UNITS INCH	THIRD ANGLE PROJECTION
		mm	INCH																		
	4 PLACES	±.005	±.0005																		
	3 PLACES	±.008	±.0008																		
2 PLACES	±.015	±.0015																			
1 PLACE	±.030	±.0030																			
WIRE (SEE NOTE 3)		DRAWN BY MS1BARRA	DATE 2010/10/19	TITLE ASSEMBLY, SL CONNECTOR SINGLE ROW 2.54/.100 GRID																	
DRAFT WHERE APPLICABLE MUST REMAIN WITHIN DIMENSIONS		CHECKED BY WAZ	DATE 1984/10/09	MOLEX INCORPORATED																	
MATERIAL NO. SEE TABLE		APPROVED BY SMILLER	DATE 2010/11/24	DOCUMENT NO. SDA-70400-0666-0689																	

12 11 10 9 8 7 6 5 4 3 2 1