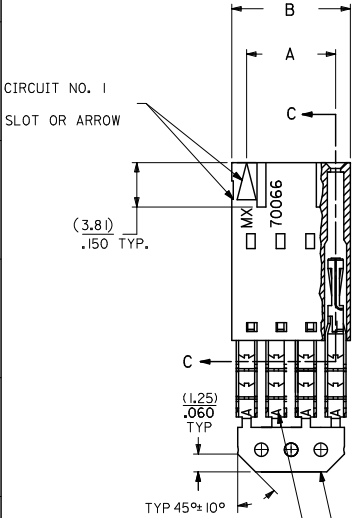
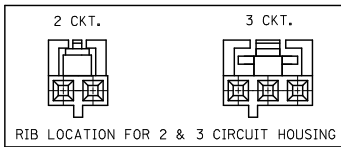
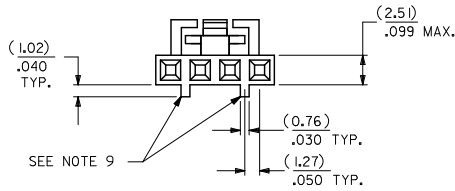


13 12 11 10 9 8 7 6 5 4 3 2 1

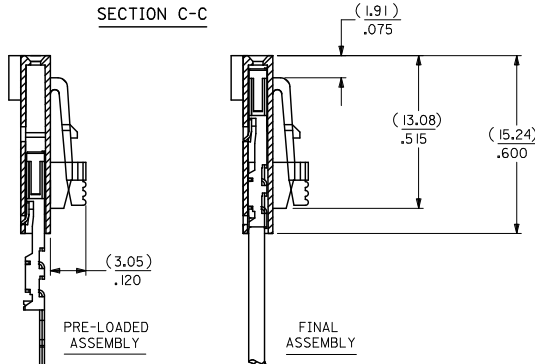
OPTION G

- NOTES:
 1. MATERIAL:
 HOUSING: POLYESTER(PBT), GLASS FILLED, UL94 V-0,
 COLOR: BLACK
 TERMINAL: PHOSPHOR BRONZE
 2. FINISH:
 15 GOLD: 0.38 MICROMETERS/15 MICROINCHES MINIMUM GOLD IN
 1.91 MICROMETERS/75 MICROINCHES MINIMUM TIN
 OVER NICKEL UNDERPLATE OVERALL
 3. TO BE USED WITH 24 AWG STRANDED WIRE WITH (1.35)/.053
 DIAMETER MAXIMUM INSULATION
 4. SEE TABLE FOR AVAILABLE CIRCUIT SIZES
 5. STANDARD PACKAGING PER PK-70873-0001. OPTIONAL PACKAGING
 MAY BE AVAILABLE, REQUEST DRAWING PK-70400
 6. PARTS STACKABLE END TO END ON (2.54)/.100 CENTERS
 7. PRODUCT SPECIFICATION: PS-70400
 8. SEE DRAWING SDA-70400-**** (SHEET 3) FOR OPTIONAL
 HOUSING DETAILS
 9. 4 CIRCUIT SHOWN, 3-25 CIRCUITS HAVE 2 RIBS
 10. TO MATE WITH MOLEX PART NUMBERS: A-70373-****,
 A-70375-****, A-70389-****, A-70391-****,
 A-70107-****, A-70018-****, A-70543-****,
 A-70553-****, A-70541-****, A-70551-****,
 A-70545-****, A-70555-****
 11. 2 CIRCUIT ASSEMBLIES SUPPLIED AS GROUPED PAIRS

CKT. SIZE	A	B	EDP. NO.
2	(2.54) .100	(5.05) .199	14-56-2022
3	(5.08) .200	(7.59) .299	14-56-2032
4	(7.62) .300	(10.13) .399	14-56-2042
5	(10.16) .400	(12.67) .499	14-56-2052
6	(12.70) .500	(15.21) .599	14-56-2062
7	(15.24) .600	(17.75) .699	14-56-2072
8	(17.78) .700	(20.29) .799	14-56-2082
9	(20.32) .800	(22.83) .899	14-56-2092
10	(22.86) .900	(25.37) .999	14-56-2102
11	(25.54) 1.000	(27.91) 1.099	14-56-2112
12	(27.94) 1.100	(30.45) 1.199	14-56-2122
13	(30.48) 1.200	(32.99) 1.299	14-56-2132
14	(33.02) 1.300	(35.53) 1.399	14-56-2142
15	(35.56) 1.400	(38.07) 1.499	14-56-2152
16	(38.01) 1.500	(40.61) 1.599	14-56-2162
17	(40.64) 1.600	(43.15) 1.699	14-56-2172
18	(43.18) 1.700	(45.69) 1.799	14-56-2182
19	(45.72) 1.800	(48.23) 1.899	14-56-2192
20	(48.26) 1.900	(50.77) 1.999	14-56-2202
21	(50.80) 2.000	(53.31) 2.099	14-56-2212
22	(53.34) 2.100	(55.85) 2.199	14-56-2222
23	(55.88) 2.200	(58.39) 2.299	14-56-2232
24	(58.42) 2.300	(60.93) 2.399	14-56-2242
25	(60.96) 2.400	(63.47) 2.499	14-56-2252



SECTION C-C



I.D. SLOT CODE TO WIRE GAUGE CHART	
I.D. SLOT CODE	WIRE GAUGE
A	24 AWG.

PLATING CODE (STRIPE ON CARRIER STRIP)	
PLATING	COLOR
15 GOLD	YELLOW

REMOVE ENG. NO. E.C. NO. LCP2011-110 DRW:MS BARRA 2010/10/19 CHK:ORDOAN 2010/10/19 APPR:SMILLER 2010/11/24	QUALITY SYMBOLS	GENERAL TOLERANCES (UNLESS SPECIFIED)	DIMENSION STYLE	SCALE	DESIGN UNITS	THIRD ANGLE PROJECTION		
	∇=0 ∇=0 ∇=0	4 PLACES ±--- ±--- 3 PLACES ±--- ±.010 2 PLACES ±.025 ±.014 1 PLACE ±0.35 ±--- ANGULAR ±1/2°	MM/IN	INCH	INCH	INCH	DRAWN BY MS BARRA 2010/10/19 DATE CHECKED BY WAZ 1984/10/09 DATE APPROVED BY SMILLER 2010/11/24 DATE	TITLE ASSEMBLY, SL CONNECTOR SINGLE ROW 2.54/.100 GRID MOLEX INCORPORATED
	DRAFT WHERE APPLICABLE MUST REMAIN WITHIN DIMENSIONS	SEE TABLE	MATERIAL NO.	DOCUMENT NO.	SHEET NO.			
	THIS DRAWING CONTAINS INFORMATION THAT IS PROPRIETARY TO MOLEX INCORPORATED AND SHOULD NOT BE USED WITHOUT WRITTEN PERMISSION		SDA-70400-0666-0689	1 OF 1				

12 11 10 9 8 7 6 5 4 3 2 1