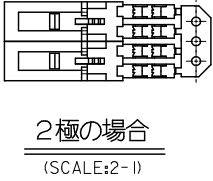
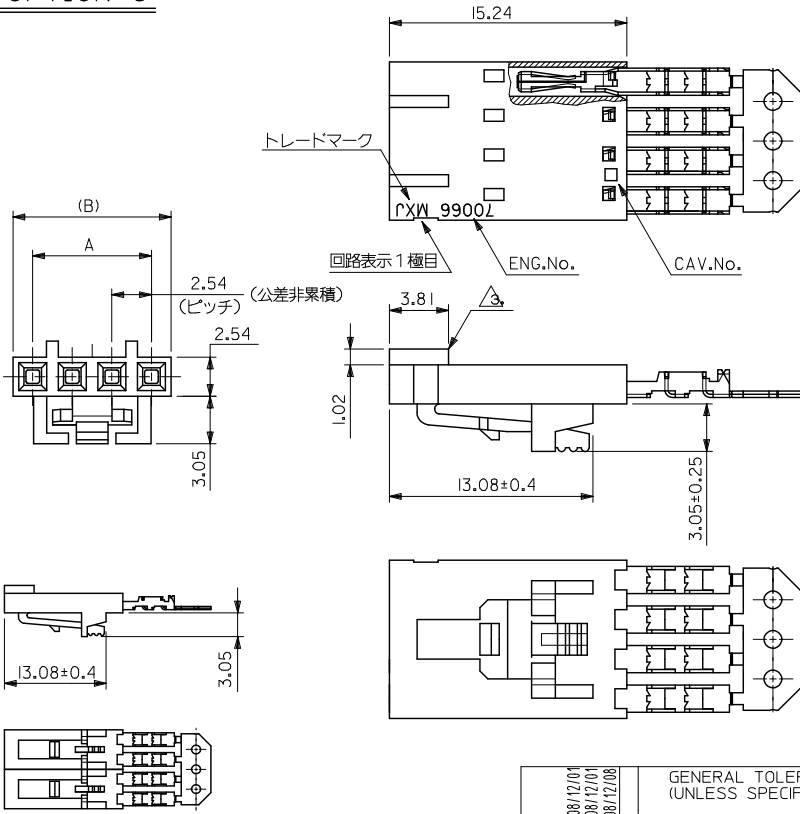


10 9 8 7 6 5 4 3 2 1

OPTION G



注記:

1. 材料
ハウジング: ガラス入りポリエステル UL 94V-0
ターミナル: 磷青銅
2. 仕上げ
接点部 : 金メッキ 0.38 μm MIN.
圧接部 : 錫メッキ 1.91 μm MIN.
下地メッキ: ニッケルメッキ 1.27 μm MIN.
- △ 極性リブは、2極及び3極の場合1箇所のみとする。
但し3極の場合のリブは、1極目と2極目の間とする。
4. 適合オスコネクター: 70107-****, 70018-****
5. 適合ヘッダー: 70389-****, 70391-****
6. ハウジングの色: 黒

60.96	58.42	70400-0688	24
58.42	55.88	70400-0687	23
48.26	45.72	70400-0683	19
40.64	38.10	70400-0680	16
38.10	35.56	70400-0679	15
35.56	33.02	70400-0678	14
33.02	30.48	70400-0677	13
27.94	25.40	70400-0675	11
25.40	22.86	70400-0674	10
22.86	20.32	70400-0673	9
(B)	A	MATERIAL No.	極数

REVISED IEC NO: J2009-0453 2008/12/01 DRAWN BY: DRW:YOSHIDAM 2008/12/01 CHECKED BY: CHYK:THAYUAMA 2008/12/01 APPROVED BY: APPR:NIKIITA 2008/12/08 REV:	GENERAL TOLERANCES (UNLESS SPECIFIED)		DIMENSION STYLE MM ONLY		SCALE 4:1	DESIGN UNITS METRIC	THIRD ANGLE PROJECTION
	10 UNDER	±0.2	DRAWN BY T. FURUHATA	DATE '07/11/17	TITLE 2.54 SINGLE ROW ASSY FEMALE I.D.CONN OPTION G -LEAD FREE-		
	10 OVER 30 UNDER	±0.25	CHECKED BY M. SASAO	DATE			
	30 OVER	±0.3	APPROVED BY S. YAMADA	DATE	MOLEX INCORPORATED DOCUMENT NO. SD-70400-010		
ANGULAR ±3 ° DRAFT WHERE APPLICABLE MUST REMAIN WITHIN DIMENSIONS		MATERIAL NO. SEE TABLE		SHEET NO. 1 OF 1			

13 12 11 10 9 8 7 6 5 4 3 2 1

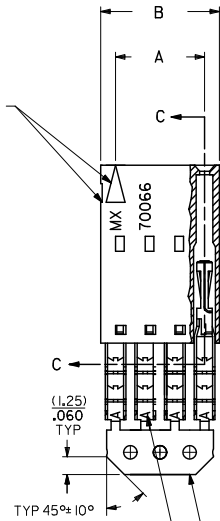
OPTION A

- NOTES:
- MATERIAL:
HOUSING: POLYESTER(FBT), GLASS FILLED, UL94 V-0,
COLOR: BLACK
TERMINAL: PHOSPHOR BRONZE
 - FINISH:
15 GOLD: 0.38 MICROMETERS/15 MICROINCHES MINIMUM GOLD IN
1.91 MICROMETERS/75 MICROINCHES MINIMUM TIN
OVER NICKEL UNDERPLATE OVERALL
 - TO BE USED WITH 24 AWG STRANDED WIRE WITH (1.35)/.053
DIAMETER MAXIMUM INSULATION
 - SEE TABLE FOR AVAILABLE CIRCUIT SIZES
 - STANDARD PACKAGING PER PK-70873-0001. OPTIONAL PACKAGING
MAY BE AVAILABLE. REQUEST CIRCUIT SIZES
 - PARTS STACKABLE END TO END ON (2.54)/.100 CENTERS
 - PRODUCT SPECIFICATION: PS-70400
 - SEE DRAWING SDA-70400-**** (SHEET 3) FOR OPTIONAL
HOUSING DETAILS
 - 4 CIRCUIT SHOWN
 - TO MATE WITH MOLEX 2.54/.100 CENTERLINE HEADERS
 - 2 CIRCUIT ASSEMBLIES SUPPLIED AS GROUPED PAIRS

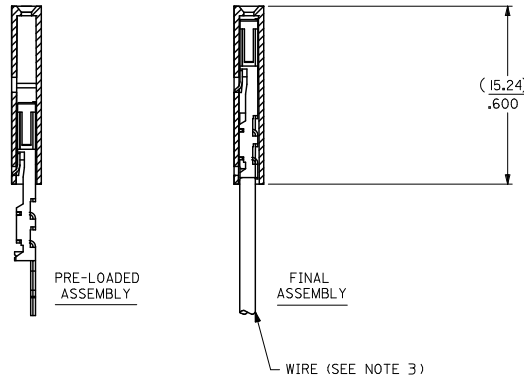


CKT. SIZE	A	B	EDP. NO.
2	(2.54) .100	(5.05) .199	I4-56-202I
3	(5.08) .200	(7.59) .299	I4-56-203I
4	(7.62) .300	(10.13) .399	I4-56-204I
5	(10.16) .400	(12.67) .499	I4-56-205I
6	(12.70) .500	(15.21) .599	I4-56-206I
7	(15.24) .600	(17.75) .699	I4-56-207I
8	(17.78) .700	(20.29) .799	I4-56-208I
9	(20.32) .800	(22.83) .899	I4-56-209I
10	(22.86) .900	(25.37) .999	I4-56-210I
11	(25.40) 1.000	(27.91) 1.099	I4-56-211I
12	(27.94) 1.100	(30.45) 1.199	I4-56-212I
13	(30.48) 1.200	(32.99) 1.299	I4-56-213I
14	(33.02) 1.300	(35.53) 1.399	I4-56-214I
15	(35.56) 1.400	(38.07) 1.499	I4-56-215I
16	(38.10) 1.500	(40.61) 1.599	I4-56-216I
17	(40.64) 1.600	(43.15) 1.699	I4-56-217I
18	(43.18) 1.700	(45.69) 1.799	I4-56-218I
19	(45.72) 1.800	(48.23) 1.899	I4-56-219I
20	(48.26) 1.900	(50.77) 1.999	I4-56-220I
21	(50.80) 2.000	(53.31) 2.099	I4-56-221I
22	(53.34) 2.100	(55.85) 2.199	I4-56-222I
23	(55.88) 2.200	(58.39) 2.299	I4-56-223I
24	(58.42) 2.300	(60.93) 2.399	I4-56-224I
25	(60.96) 2.400	(63.47) 2.499	I4-56-225I

CIRCUIT NO. I
SLOT OR ARROW



SECTION C-C



I.D. SLOT CODE TO WIRE GAUGE CHART	
I.D. SLOT CODE	WIRE GAUGE
A	24 AWG.

PLATING CODE (STRIPE ON CARRIER STRIP)	
PLATING	COLOR
15 GOLD	YELLOW

REMOVE ENG. NO. EC NO. UEP2011-110 2010/10/19 DRW:MS BARRA CHK:DJORDAN 2010/10/19 APPR:SMILLER 2010/11/24	QUALITY SYMBOLS ∇=0 ∇=0 ∇=0	GENERAL TOLERANCES (UNLESS SPECIFIED)		DIMENSION STYLE	SCALE	DESIGN UNITS	THIRD ANGLE PROJECTION		
				MM/IN	INCH	INCH	INCH		
				mm	INCH	DRAWN BY	DATE	TITLE	
				4 PLACES ± --- ± ---	3 PLACES ± --- ± .010	MS BARRA	2010/10/19	ASSEMBLY, SL CONNECTOR SINGLE ROW 2.54/.100 GRID	
		2 PLACES ± 0.25 ± .014	1 PLACE ± 0.35 ± ---	CHECKED BY	DATE				
		ANGULAR ±1/2°		WAZ	1984/10/09				
		DRAFT WHERE APPLICABLE MUST REMAIN WITHIN DIMENSIONS		APPROVED BY	DATE				
				SMILLER	2010/11/24				
				MATERIAL NO.	DOCUMENT NO.		SHEET NO.		
				SEE TABLE	SDA-70400-0526-0549		1 OF 1		
				THIS DRAWING CONTAINS INFORMATION THAT IS PROPRIETARY TO MOLEX INCORPORATED AND SHOULD NOT BE USED WITHOUT WRITTEN PERMISSION					

12 11 10 9 8 7 6 5 4 3 2 1