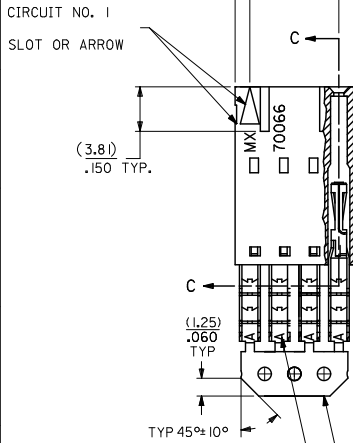
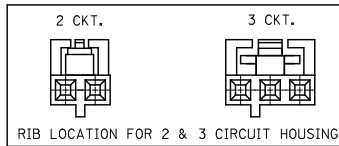
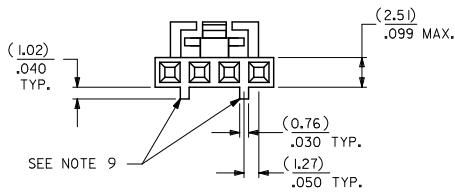
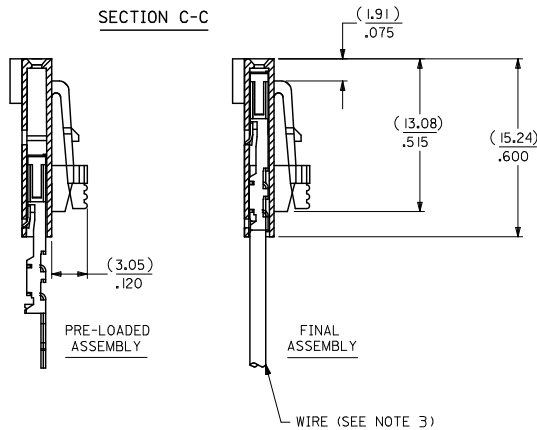


- NOTES:
- MATERIAL:  
HOUSING: POLYESTER(PBT), GLASS FILLED, UL94 V-0,  
COLOR: BLACK  
TERMINAL: PHOSPHOR BRONZE
  - FINISH:  
TIN: 3.81 MICROMETERS/150 MICROINCHES MINIMUM TIN  
OVER NICKEL UNDERPLATE OVERALL
  - TO BE USED WITH 24 AWG STRANDED WIRE WITH (1.35)/.053  
DIAMETER MAXIMUM INSULATION
  - SEE TABLE FOR AVAILABLE CIRCUIT SIZES
  - STANDARD PACKAGING PER PK-70873-0001. OPTIONAL PACKAGING  
MAY BE AVAILABLE. REQUEST DRAWING PK-70400
  - PARTS STACKABLE END TO END ON (2.54)/.100 CENTERS
  - PRODUCT SPECIFICATION: PS-70400
  - SEE DRAWING SDA-70400-\*\*\*\* (SHEET 3) FOR OPTIONAL  
HOUSING DETAILS
  - CIRCUIT SHOWN. 3-25 CIRCUITS HAVE 2 RIBS
  - TO MATE WITH MOLEX PART NUMBERS: A-70373-\*\*\*\*,  
A-70375-\*\*\*\*, A-70389-\*\*\*\*, A-70391-\*\*\*\*,  
A-70107-\*\*\*\*, A-70018-\*\*\*\*, A-70543-\*\*\*\*,  
A-70553-\*\*\*\*, A-70541-\*\*\*\*, A-70551-\*\*\*\*,  
A-70545-\*\*\*\*, A-70555-\*\*\*\*
  - 2 CIRCUIT ASSEMBLIES SUPPLIED AS GROUPED PAIRS

# OPTION G



## SECTION C-C



CKT. SIZE	A	B	EDP. NO.
2	( 2.54 ) .100	( 5.05 ) .199	14-60-0022
3	( 5.08 ) .200	( 7.59 ) .299	14-60-0032
4	( 7.62 ) .300	( 10.13 ) .399	14-60-0042
5	( 10.16 ) .400	( 12.67 ) .499	14-60-0052
6	( 12.70 ) .500	( 15.21 ) .599	14-60-0062
7	( 15.24 ) .600	( 17.75 ) .699	14-60-0072
8	( 17.78 ) .700	( 20.29 ) .799	14-60-0082
9	( 20.32 ) .800	( 22.83 ) .899	14-60-0092
10	( 22.86 ) .900	( 25.37 ) .999	14-60-0102
11	( 25.40 ) 1.000	( 27.91 ) 1.099	14-60-0112
12	( 27.94 ) 1.100	( 30.45 ) 1.199	14-60-0122
13	( 30.48 ) 1.200	( 32.99 ) 1.299	14-60-0132
14	( 33.02 ) 1.300	( 35.53 ) 1.399	14-60-0142
15	( 35.56 ) 1.400	( 38.07 ) 1.499	14-60-0152
16	( 38.10 ) 1.500	( 40.61 ) 1.599	14-60-0162
17	( 40.64 ) 1.600	( 43.15 ) 1.699	14-60-0172
18	( 43.18 ) 1.700	( 45.69 ) 1.799	14-60-0182
19	( 45.72 ) 1.800	( 48.23 ) 1.899	14-60-0192
20	( 48.26 ) 1.900	( 50.77 ) 1.999	14-60-0202
21	( 50.80 ) 2.000	( 53.31 ) 2.099	14-60-0212
22	( 53.34 ) 2.100	( 55.85 ) 2.199	14-60-0222
23	( 55.88 ) 2.200	( 58.39 ) 2.299	14-60-0232
24	( 58.42 ) 2.300	( 60.93 ) 2.399	14-60-0242
25	( 60.96 ) 2.400	( 63.47 ) 2.499	14-60-0252

I.D. SLOT CODE TO WIRE GAUGE CHART	
I.D. SLOT CODE	WIRE GAUGE
A	24 AWG.

PLATING CODE (STRIPE ON CARRIER STRIP)	
PLATING	COLOR
TIN	NONE

REMOVE ENG. NO. EC NO. LUP2011-110 2010/10/19 DRW:MS BARRA 2010/10/19 CHK:DJORDAN 2010/11/24 APPR:SMILLER	QUALITY SYMBOLS ∇=0 ∇=0 ∇=0	GENERAL TOLERANCES (UNLESS SPECIFIED)		DIMENSION STYLE MM/IN		SCALE	DESIGN UNITS	THIRD ANGLE PROJECTION																
		<table border="1"> <tr><th></th><th>mm</th><th>INCH</th></tr> <tr><td>4 PLACES</td><td>±.005</td><td>±.0005</td></tr> <tr><td>3 PLACES</td><td>±.010</td><td>±.0010</td></tr> <tr><td>2 PLACES</td><td>±.025</td><td>±.0104</td></tr> <tr><td>1 PLACE</td><td>±.035</td><td>±.0014</td></tr> </table>			mm	INCH	4 PLACES		±.005	±.0005	3 PLACES	±.010	±.0010	2 PLACES	±.025	±.0104	1 PLACE	±.035	±.0014	DRAWN BY MS BARRA 2010/10/19		DATE	INCH	ASSEMBLY, SL CONNECTOR SINGLE ROW 2.54/.100 GRID MOLEX INCORPORATED
			mm	INCH																				
		4 PLACES	±.005	±.0005																				
3 PLACES	±.010	±.0010																						
2 PLACES	±.025	±.0104																						
1 PLACE	±.035	±.0014																						
ANGULAR ±1/2°		CHECKED BY WAZ 1984/10/09		DATE		SDA-70400-0141-0164																		
DRAFT WHERE APPLICABLE MUST REMAIN WITHIN DIMENSIONS		APPROVED BY SMILLER 2010/11/24		DATE	MATERIAL NO. SEE TABLE		SHEET NO. 1 OF 1																	
THIS DRAWING CONTAINS INFORMATION THAT IS PROPRIETARY TO MOLEX INCORPORATED AND SHOULD NOT BE USED WITHOUT WRITTEN PERMISSION																								